

宁波市百斯麦瑞电器设备有限公司
NINGBO BAST-MARINE ELECTRICAL EQUIPMENT CO.,LTD

地址：中国宁波市鄞州区姜山镇科技园区东一路18号
Add: NO.18, 1st East Road, Jiangshan Town ,
Yinzhou District, Ningbo, China

邮编(P.C.): 315191

电话(Tel.): +86-574-88397088

传真(Fax.): +86-574-88193788

邮箱(E-mail): sales@bast-marine.com

网站(Web.): www.bast-marine.com



船用厨房洗衣设备
GALLEY AND LAUNDRY EQUIPMENT



宁波市百斯麦瑞电器设备有限公司
NINGBO BAST-MARINE ELECTRICAL EQUIPMENT CO.,LTD





COMPANY PROFILE

公司简介

宁波市百斯麦瑞电器设备有限公司为一家专业从事船用厨房设备、商用厨房设备的设计、研发、制造和配套的综合型企业。长期致力于船用厨房设备、商用厨房设备的设计及研发，拥有一支高效的研发团队和完全自主知识产权的核心产品，经过多年的运营，公司已通过了ISO9001质量管理体系认证，建立了一套严格高效的质量管理制度，以其创新的设计理念、精良的制造工艺和稳定的产品质量得到了广大用户的高度评价，产品在许多重点大型项目中得到广泛应用。

公司创建于2010年，拥有占地10000平方米的标准现代化生产厂房。在多年的发展历程中，公司一直秉持“创新、务实、高效”的经营方针，秉承“以诚信为本，质量第一，效益第二，服务和质量并行”的经营理念，坚持产品研发自主的创新原则，凭借过硬的产品质量和专业化的售前售后服务，赢得了广大客户的肯定。

感谢您的关注，百斯麦瑞期待与您的合作发展。

更多信息请参阅我公司网站www.bast-marine.com，或电邮sales@bast-marine.com 联系。

Ningbo BAST-MARINE Electrical Equipment Co, Ltd, a multi-business enterprise with its expertise, is professional for designing, R&D, manufacturing and supporting galley equipments and commercial kitchen equipments. With long term dedication in designing and R&D for galley equipments and commercial kitchen equipments, we have built up a highly efficient R&D team and presented a wide range of core products with proprietary intellectual property rights. In the operation of years, we have been certified with ISO9001 quality management system and established a strict and efficient management system of our own. We are highly evaluated by the customers because of our innovative design, excellent technique and stable quality. Our products are widely used in many big key projects.

Our company was founded in 2010, owning modern standard facilities covering an area of 10000m². During the years of our growing, we have been keeping the motto “Innovative, Businesslike and Efficient” firmly rooted in our instinct. We consider credibility as our life and put quality and service first, benefit second. With independent R&D, innovative design, excellent quality and skilled pre-sale & after service, we are highly appraised by our customers.

Thank you for your attention. We have great honor and look forward to cooperating with you.

For more information, please visit our website www.bast-marine.com, or contact us by sending email to sales@bast-marine.com.





CONTENTS

目录

- 03 船用方头电灶
Marine Cooking Range (Square Hot Plate)
- 05 船用圆头电灶
Marine Cooking Range (Round Hot Plate)
- 07 船用新型电灶
Marine Cooking Range (New Type)
- 09 船用电磁灶
Marine Induction Chinese Cooker
- 11 船用可倾式电汤锅
Marine Tilting Soup Boiling Pan
- 13 船用固定式汤锅
Marine Soup Boiling Pan
- 15 船用可倾式平底电炒锅
Marine Tilting Frying Pan
- 17 船用电烤箱
Marine Baking Oven
- 19 船用带灭火系统深煎锅
Marine Deep Fryer W/ Fire Extinguisher
- 21 船用电热蒸饭箱
Marine Elec. Rice Steam Cooker
- 23 船用万能蒸烤箱
Marine Combi Oven

- 25 船用全自动豆芽机
Marine Automatic Bean-sprout Maker
- 26 船用豆浆机
Marine Soya-bean Milk Maker
- 27 船用电热保温桌
Marine Barin Marie
- 29 船用冷餐台
Marine Cold Basin + Cabin
- 31 船用不锈钢冰箱
Marine S/S Refrigerator
- 33 船用舱室冰箱
Marine Cabin Refrigerator
- 35 船用制冰机
Marine Ice Maker
- 37 船用多用途机
Marine Universal Machine
- 39 船用锯骨机
Marine Bone Saw
- 39 船用土豆去皮机
Marine Potato Peeler
- 40 船用肉类切片机
Marine Meat Slicer

- 40 船用绞肉机
Marine Meat Grinder
- 41 船用和面机
Marine Dough Kneading Machine
- 41 船用压面机
Marine Noodle Making Machine
- 42 船用咖啡机
Marine Coffee Machine
- 42 船用饮水机
Marine Water Dispenser
- 43 船用壁挂式开水器 (圆)
Marine Automatic Electric Water Boiler(Round Type)
- 43 船用壁挂式开水器 (方)
Marine Automatic Electric Water Boiler(Square Type)
- 44 船用冰淇淋机
Marine Ice Cream
- 44 船用果汁机
Marine Juice Dispenser
- 45 船用微波炉
Marine Microwave Oven
- 45 船用电饭煲
Marine Electric Rice Cooker
- 46 船用土司炉
Marine Toaster
- 46 船用消毒柜
Marine Sterilizer

- 47 船用洗碗机
Marine Dish Washer
- 48 船用垃圾处理机
Marine Food Waste Disposer
- 49 船用垃圾打包机
Marine Waste Compactor
- 51 船用垃圾破碎机
Marine Waste Crushing Machine
- 53 船用洗衣机
Marine Washer Extractor
- 55 船用烘干机
Marine Dryer Tumbler
- 54 船用熨衣机
Marine Ironing Machine
- 57 船用电熨斗
Marine Electric Iron
- 57 船用烫衣板
Marine Ironing Board
- 58 船用不锈钢家具
Marine S/S Furniture
- 59 组合式服务台
Sectional Table
- 61 船用多功能智能烟罩
Marine Multi-functional Galley Hood



目录

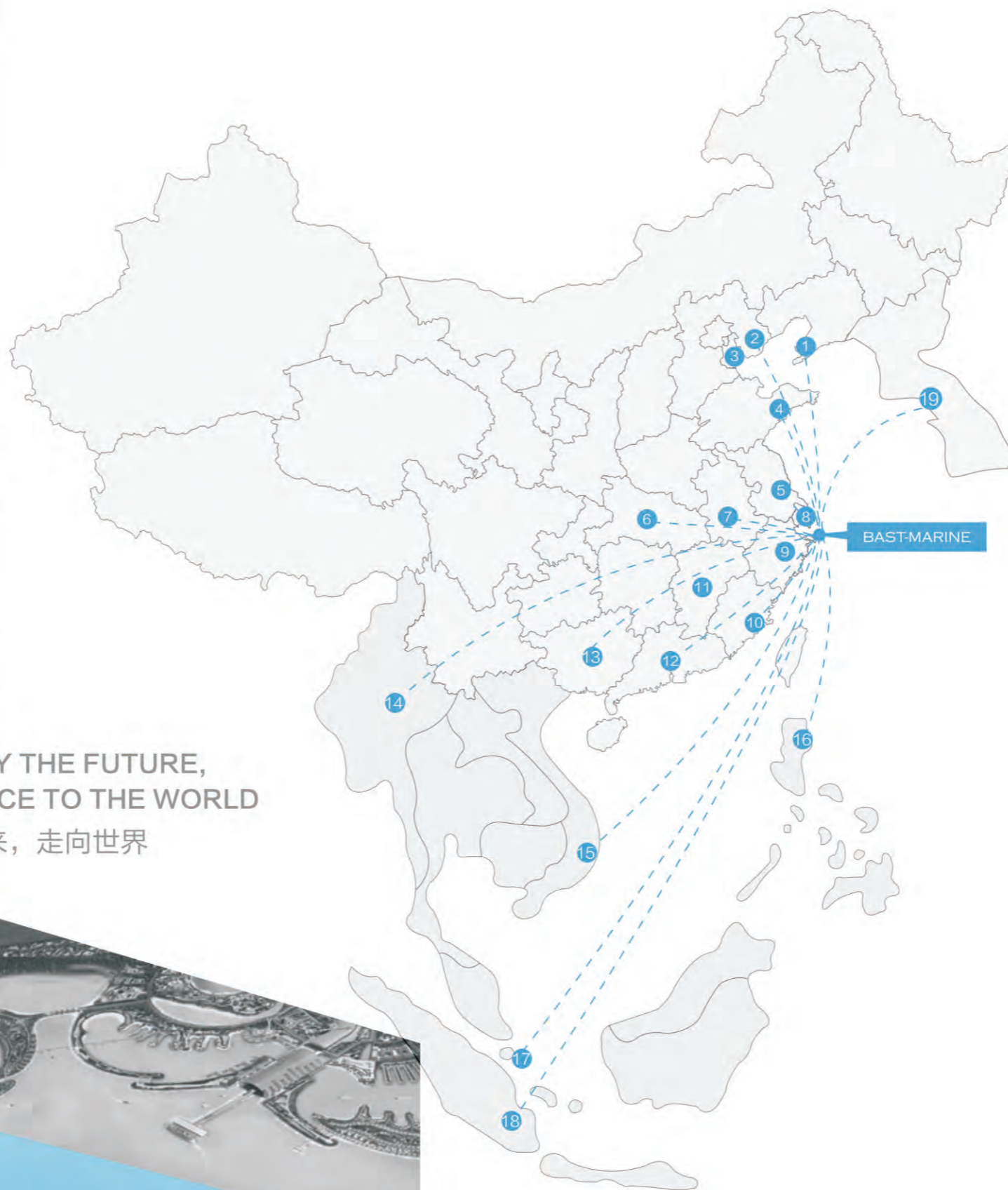
CONTENTS

COVERING BLOCK 覆盖区块

在多年的发展历程中，公司一直秉承“创新、务实、高效”的经营方针，秉持“以诚信为本，质量第一，效益第二，服务和质量并行”的理念，坚持产品研发自主的创新原则。凭借过硬的产品质量和专业化的售前售后服务赢得了船舶业、酒店业等广大客户的肯定。

During many years of development, Company keeps innovative, pragmatic and efficient approach to business, upholds the concept of good faith, quality and service first, employees second, With persists independent R&D innovation principles. With excellent product quality and professional pre-sales and after-sales service, Company gains extensive recognition from customers in ship industry and hotel etc..

DEPLOY THE FUTURE,
ADVANCE TO THE WORLD
布局未来，走向世界



- ① ----- 辽宁 Liaoning
- ② ----- 河北 Hebei
- ③ ----- 天津 Tianjin
- ④ ----- 山东 Shandong
- ⑤ ----- 江苏 Jiangsu
- ⑥ ----- 湖北 Hubei
- ⑦ ----- 安徽 Anhui
- ⑧ ----- 上海 Shanghai
- ⑨ ----- 浙江 Zhejiang
- ⑩ ----- 福建 Fujian
- ⑪ ----- 江西 Jiangxi
- ⑫ ----- 广东 Guangdong
- ⑬ ----- 广西 Guangxi
- ⑭ ----- 缅甸 Burma
- ⑮ ----- 越南 Vietnam
- ⑯ ----- 菲律宾 Philippines
- ⑰ ----- 新加坡 Singapore
- ⑱ ----- 印度尼西亚 Indonesia
- ⑲ ----- 韩国 Korea

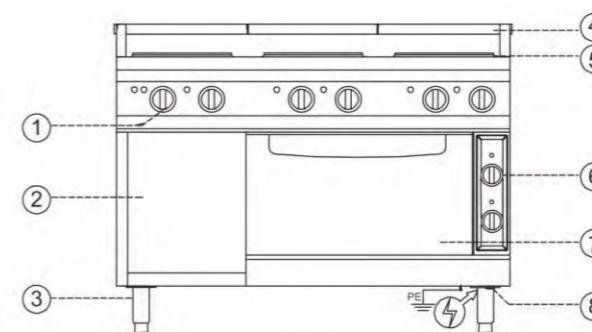
图片型号 PICTURE MODEL: BR4A/O

MARINE COOKING RANGE
(SQUARE HOT PLATE)

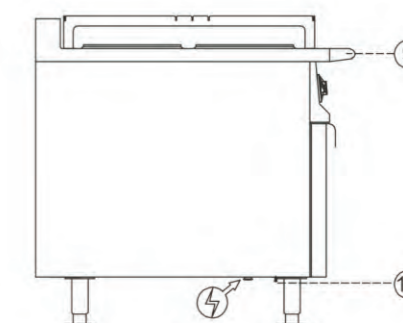
船用方头电灶



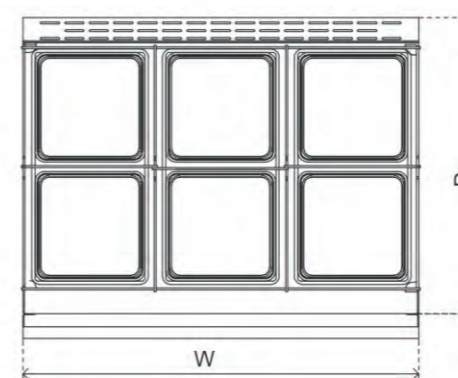
- 全不锈钢结构
Complete stainless steel execution
- 采用德国进口 E.G.O 加热盘及控制元件
Hot Plates and Control Elements are imported from E.G.O Germany
- 灶盘表面经过耐磨、防腐蚀、耐高温处理
The Hot Plates can stand abrasion, corrosion and high temperature
- 设有 7 档功率调节开关
7-stop Power Adjusting Knob
- 设防浪扶手和防浪架
Front hand rail and storm racks on top
- 灶下可选择烤箱或储物柜
The under structure can be designed as baking oven or cabinet
- 烤箱采用德国进口 E.G.O 温控
The thermostat of oven is imported from E.G.O Germany
- 烤箱设上下两组加热器，并独立控制
Upper and lower heating elements are fitted in oven and controlled separately
- 可按照NOSORK标准定制
Can be customized according to NOSORK standard



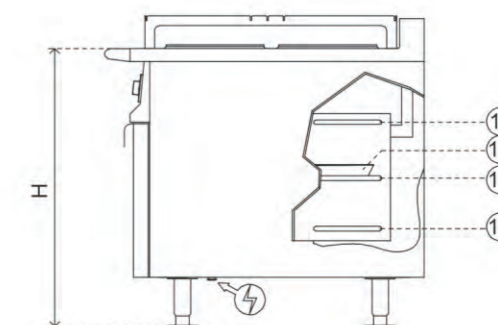
正视图
FRONT



左视图
LEFT



俯视图
PLAN



右视图
RIGHT

- ① 7 档功率调节开关
7-stop Power Adjusting Knob
- ② 开口储物柜
Open Cabinet
- ③ 船用可调节底脚
Marine Adjustable Leg
- ④ 防浪架
Rolling Rack
- ⑤ 方形电热板
Square Hot Plate
- ⑥ 烤箱温控器开关
Thermal Switch Of Oven
- ⑦ 烤箱 (可替换为开口柜)
Oven (Can Be Replaced With Open Cabinet)
- ⑧ 进线填料函
Cable Gland
- ⑨ 防浪扶手
Handrail
- ⑩ 接地螺栓
Earthing
- ⑪ 上层电热管
Upper Heating Element
- ⑫ 烤盘
Baking Plate
- ⑬ 烤架
Grill
- ⑭ 下层电热管
Lower Heating Element

设备名称 Equipment	型号 Model	功率 Rating	电制 Voltage	尺寸 Size (W×D×H)	重量 Net Weight
船用方四头电灶 Marine Cooking Range (4 Square Hot Plates)	BR4A	16kW	380-415V/3/50Hz 440-480V/3/60Hz	800×900×850mm	100kg
船用方四头电灶连烤箱 Marine Cooking Range W/Oven(4 Square Hot Plates)	BR4A/O	20.8kW	380-415V/3/50Hz 440-480V/3/60Hz	800×900×850mm	148kg
船用方六头电灶 Marine Cooking Range(6 Square Hot Plates)	BR6A	24kW	380-415V/3/50Hz 440-480V/3/60Hz	1200×900×850mm	130kg
船用方六头电灶连烤箱 Marine Cooking Range W/Oven (6 Square Hot Plates)	BR6A/O	28.8kW	380-415V/3/50Hz 440-480V/3/60Hz	1200×900×850mm	180kg

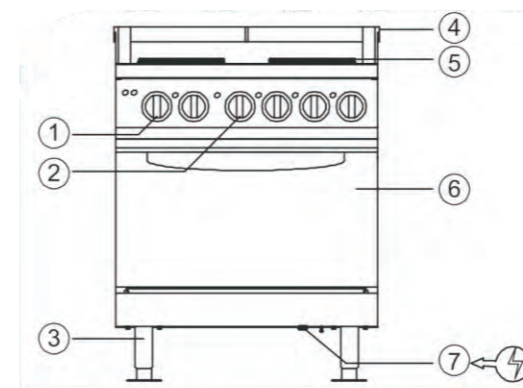
图片型号 PICTURE MODEL: BR4B/O

Marine Cooking Range
(Round Hot Plate)

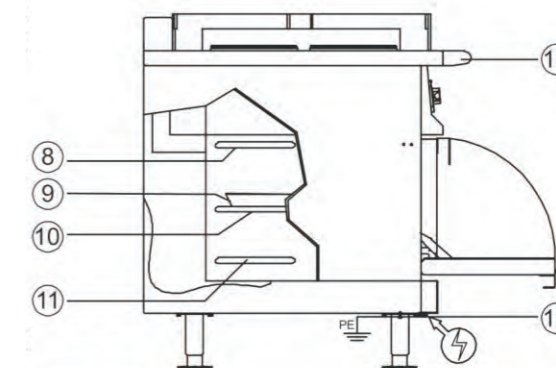
船用圆头电灶



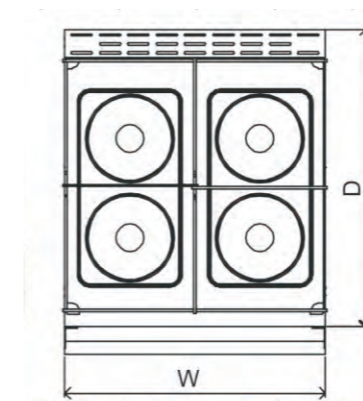
- 全不锈钢结构
Complete stainless steel execution
- 采用德国进口 E.G.O 加热盘及控制元件
Hot Plates and Control Elements are imported from E.G.O Germany
- 灶盘表面经过耐磨、防腐蚀、耐高温处理
The Hot Plates can stand abrasion, corrosion and high temperature
- 设有 7 档功率调节开关
7-stop Power Adjusting Knob
- 设防浪扶手和防浪架
Front hand rail and storm racks on top
- 灶下可选择烤箱或储物柜
The under structure can be designed as baking oven or cabinet
- 烤箱采用德国进口 E.G.O 温控
The thermostat of oven is imported from E.G.O Germany
- 烤箱设上下两组加热器，并独立控制
Upper and lower heating elements are fitted in oven and controlled separately
- 可按照NOSORK标准定制
Can be customized according to NOSORK standard



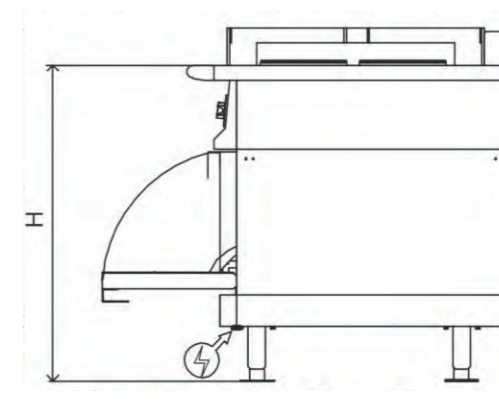
正视图
FRONT



左视图
LEFT



俯视图
PLAN



右视图
RIGHT

- | | | | |
|--------------------------------------------|------------------------------------------------------------|----------------------------------|----------------------------------|
| ① 7 档功率调节开关
7-stop Power Adjusting Knob | ④ 防浪架
Rolling Rack | ⑦ 进线填料函
Cable Gland | ⑩ 烤架
Grill |
| ② 烤箱温控器开关
Thermal Switch of Oven | ⑤ 圆型电热板
Round Hot Plate | ⑧ 上层电热管
Upper Heating Element | ⑪ 下层电热管
Lower Heating Element |
| ③ 船用可调节底脚
Marine Adjustable Leg | ⑥ 烤箱 (可替换为开口柜)
Oven (Can Be Replaced With Open Cabinet) | ⑨ 烤盘
Baking Plate | ⑫ 防浪扶手
Handrail |
| | | | ⑬ 接地螺栓
Earthing |

设备名称 Equipment	型号 Model	功率 Rating	电制 Voltage	尺寸 Size (W×D×H)	重量 Net Weight
船用圆四头电灶 Marine Cooking Range (4 Round Hot Plates)	BR4B	10.4kW	380-415V/3/50Hz 440-480V/3/60Hz	700×800×850mm	55kg
船用圆四头电灶连烤箱 Marine Cooking Range W/Oven(4 Round Hot Plates)	BR4B/O	15.2kW	380-415V/3/50Hz 440-480V/3/60Hz	700×800×850mm	99kg
船用圆六头电灶 Marine Cooking Range(6 Round Hot Plates)	BR6B	15.6kW	380-415V/3/50Hz 440-480V/3/60Hz	1050×800×850mm	80kg
船用圆六头电灶连烤箱 Marine Cooking Range W/Oven (6 Round Hot Plates)	BR6B/O	20.4kW	380-415V/3/50Hz 440-480V/3/60Hz	1050×800×850mm	120kg

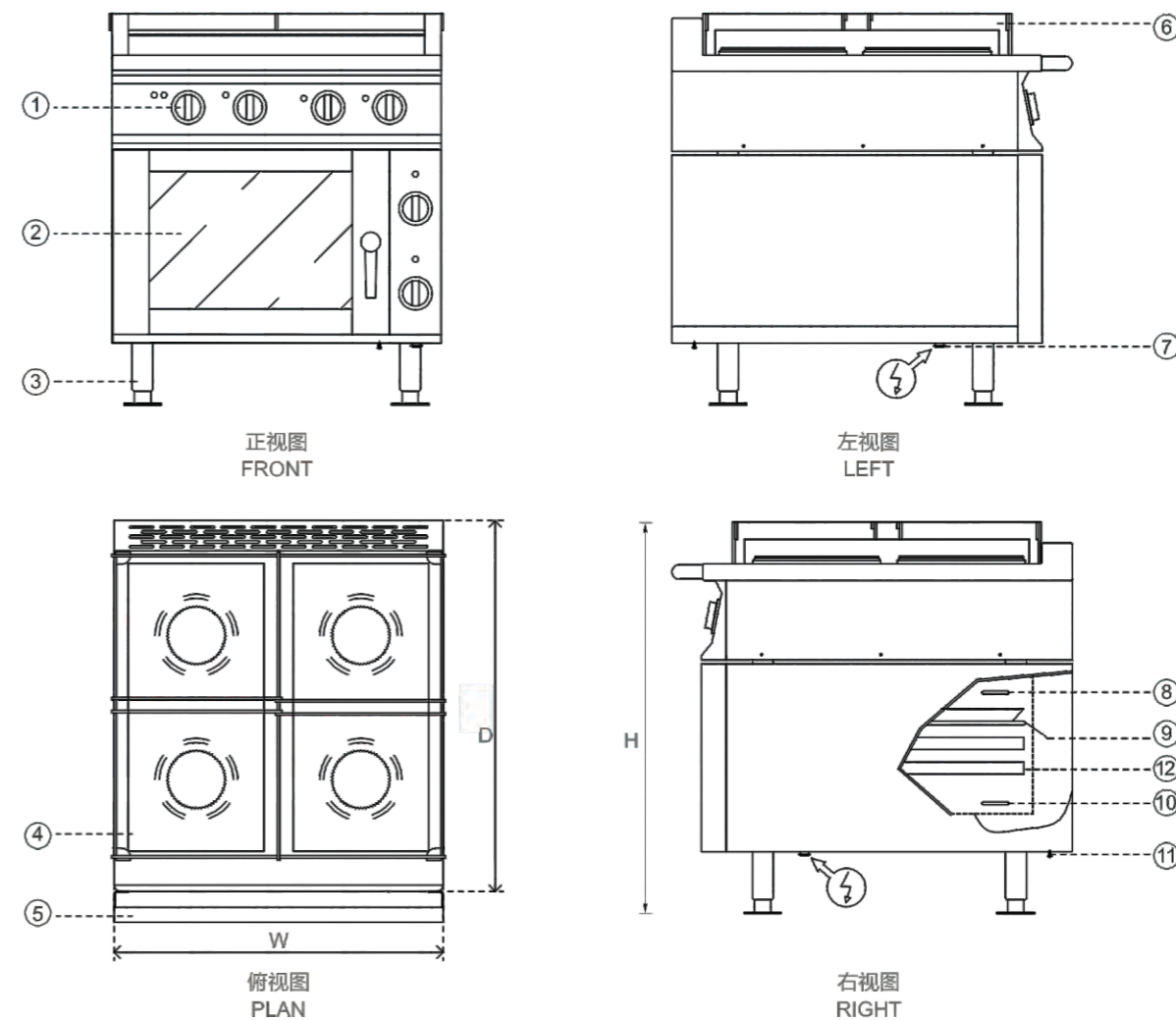
图片型号PICTURE MODEL: BR4D/O

Marine Cooking Range (New Type)

船用新型电灶



- ▶ 全不锈钢结构
S/S execution
- ▶ 红外线聚能加热无电磁辐射
Infrared shaped heating without electromagnetic radiation
- ▶ 垂直导热技术，节能环保
Vertical heat conduction technology, energy saving and environmental protection
- ▶ 进口发热炉盘和微晶玻璃面板，使用寿命更长
Imported heating furnace and glass ceramic panel, long service life
- ▶ 平底耐高温的锅具都可以使用
Flat-bottom design, high temperature resistant cookware can be used
- ▶ 设防浪扶手和防浪架
Front hand rail and storm racks on top
- ▶ 下部结构可以选择烤箱或储物柜
The under structure can be designed as baking oven or cabinet
- ▶ 烤箱设上下两组加热器，并独立控制
Upper and lower heating elements are fitted in oven and controlled separately
- ▶ 可按照NOSORK标准定制
Can be customized according to NOSORK standard



- | | | |
|------------------------------------------------------------|----------------------------------|----------------------------------|
| ① 功率可调节开关
Power Adjusting Knob | ⑤ 防浪扶手
Handrail | ⑨ 烤架
Grill |
| ② 烤箱 (可替换为开口柜)
Oven (Can Be Replaced With Open Cabinet) | ⑥ 防浪架
Rolling Rack | ⑩ 下层电热管
Lower Heating Element |
| ③ 船用可调节底脚
Marine Adjustable Leg | ⑦ 进线填料函
Cable Gland | ⑪ 接地螺栓
Earthing |
| ④ 炉头玻璃板
Cooker Glass Plate | ⑧ 上层电热管
Upper Heating Element | ⑫ 烤盘
Baking Plate |

设备名称 Equipment	型号 Model	功率 Rating	电制 Voltage	尺寸 Size (W×D×H)	重量 Net Weight
船用新型电灶 Marine Cooking Range (New Type)	BR4D	9kW	380-415V/3/50Hz 440-480V/3/60Hz	800x900x850	87kg
船用新型电灶 Marine Cooking Range (New Type)	BR4D/O	13.8kW	380-415V/3/50Hz 440-480V/3/60Hz	800x900x850	135kg
船用新型电灶 Marine Cooking Range (New Type)	BR6D	13.5kW	380-415V/3/50Hz 440-480V/3/60Hz	1200x900x850	117kg
船用新型电灶 Marine Cooking Range (New Type)	BR6D/O	18.3kW	380-415V/3/50Hz 440-480V/3/60Hz	1200x900x850	165kg

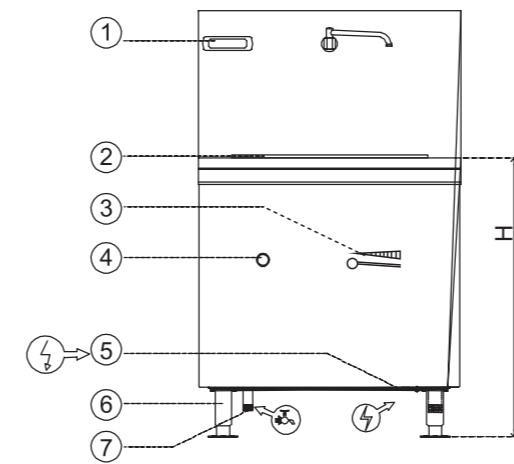
图片型号 PICTURE MODEL: BIC5

Marine Induction Chinese Cooker 船用电磁灶

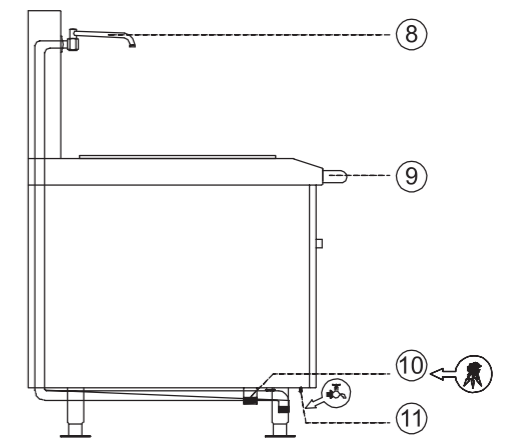


全不锈钢结构
S/S execution

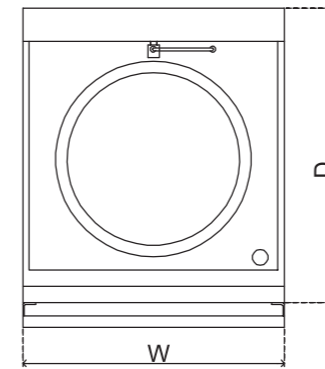
- ◆ 能耗低，热效率能达到90%以上
Low power consumption. The heating efficiency is over 90%
- ◆ 进口大功率IGBT管，质量优异
Imported high power IGBT with high quality
- ◆ 军工级电子器件，耐用可靠
Durable and reliable electric parts with the quality complying with military industry
- ◆ 液晶屏显示，设备状态实时监控
LCD display is used for constantly monitoring the equipment
- ◆ 无极功率调节技术，火力控制自如
Stepless power adjustment makes heating easy to control
- ◆ 不锈钢摇摆水龙头，持久耐用不易磨损
S/S swivel faucet, hard and durable
- ◆ 具有高效、安全、易清洗等特点，并设有防浪扶手
Efficient, safe and easy to clean, handrail is installed



正视图
FRONT



左视图
LEFT



俯视图
PLAN

- | | |
|------------------------------------|------------------------------------|
| ① 显示屏
Display | ⑥ 船用可调节底脚
Marine Adjustable Leg |
| ② 灶面
Heater Top | ⑦ 进水口
Inlet |
| ③ 功率调节开关
Power Adjusting Switch | ⑧ 水龙头
Faucet |
| ④ 电源开关
Power Switch | ⑨ 防浪扶手
Handrail |
| ⑤ 进线填料函
Cable Gland | ⑩ 排水口
Drain |
| | ⑪ 接地螺栓
Earthing |

设备名称 Equipment	型号 Model	功率 Rating	电制 Voltage	尺寸 Size (W×D×H)	重量 Net Weight
船用单头电磁炒灶 Marine Induction Chinese Cooker (Single-Heater)	BIC5	5kW	380-415V/3/50Hz 440-480V/3/60Hz	700×700×850mm	80kg
船用单头电磁炒灶 Marine Induction Chinese Cooker (Single-Heater)	BIC8/12	8/12kW	380-415V/3/50Hz 440-480V/3/60Hz	800×900×850mm	90kg
船用双头电磁炒灶 Marine Induction Chinese Cooker (Double-Heater)	BIC5D	10kW	380-415V/3/50Hz 440-480V/3/60Hz	1500×700×850mm	135kg
船用双头电磁炒灶 Marine Induction Chinese Cooker (Double-Heater)	BIC8D/12D	16/24kW	380-415V/3/50Hz 440-480V/3/60Hz	1800×900×850mm	150kg
船用单头电磁大锅灶 Marine Induction Chinese Cooker (Single-Wok)	BIC12B/15B	12/15kW	380-415V/3/50Hz 440-480V/3/60Hz	900×900×850mm	100kg
船用单头电磁大锅灶 Marine Induction Chinese Cooker (Single-Wok)	BIC20B	20kW	380-415V/3/50Hz 440-480V/3/60Hz	1100×1150×850mm	120kg
船用双头电磁大锅灶 Marine Induction Chinese Cooker (Double-Wok)	BIC12BD/15BD	24/30kW	380-415V/3/50Hz 440-480V/3/60Hz	1600×900×850mm	210kg
船用双头电磁大锅灶 Marine Induction Chinese Cooker (Double-Wok)	BIC20BD	40kW	380-415V/3/50Hz 440-480V/3/60Hz	2000×1150×850mm	260kg

图片型号 PICTURE MODEL: BTB60/60E

Marine Tilting
Soup Boiling Pan

船用可倾式电汤锅

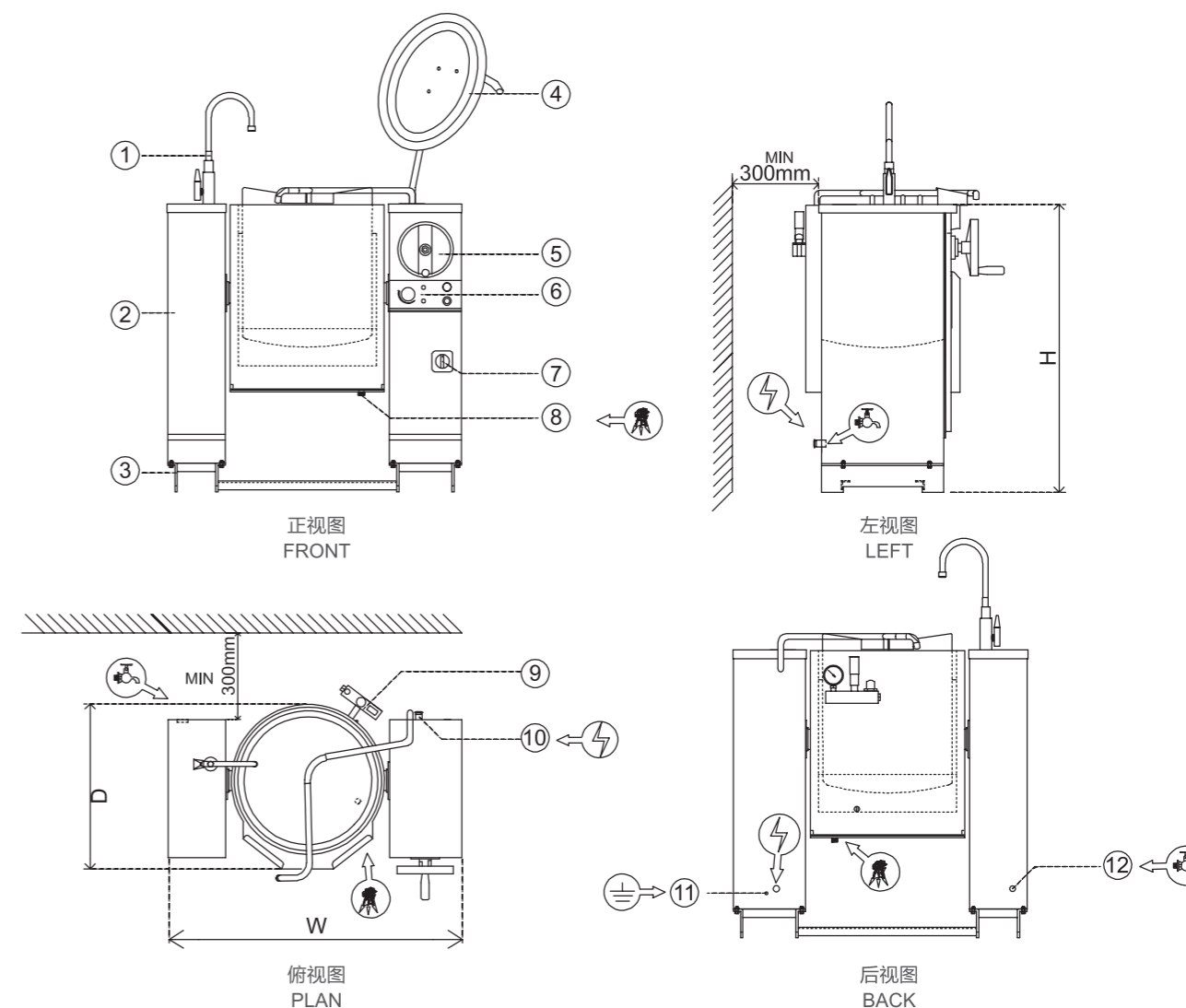


电动/Motor Driven



手动/Manually Driven

- ◆ 全不锈钢结构
S/S execution
- ◆ 可选择电动倾斜装置和手动转轮式倾斜装置
Handwheel driven tilting device & electric motor driven tilting device are optional
- ◆ 锅体采用三层隔热结构，间接加热，加热高效均匀
The pan body is designed with three insulation tiers, The heating is indirect, efficient and even
- ◆ 带有低水位自动断电保护功能
Automatic water lacking breaker protecting function
- ◆ 设有限位感应装置，锅体倾斜时自动停止加热
Limit switch automatically stops the heating when the pan is tilted
- ◆ 外置压力表、减压阀，对设备进行过压保护
External pressure gauge and pressure releasing valve are applied for overpressure protection
- ◆ 外隔层间填充高复合隔热材料，确保热量不外导
The outer insulation tier is made of compound insulation material and can prevent heat from radiating
- ◆ 带防风浪气撑锅盖
Anti-storm pan lid is provided
- ◆ 配有长颈摇摆龙头
With a long necked swing faucet



- | | | | |
|----------------------|-------------------------|------------------------------|------------------------|
| ① 加水龙头
Faucet | ④ 汤锅盖
Cover | ⑦ 电源开关
Power Switch | ⑩ 进线填料函
Cable Gland |
| ② 左箱体
Left Column | ⑤ 手动转轮
Handwheel | ⑧ 溢水口
Water Overflow | ⑪ 接地螺栓
Earthing |
| ③ 固定底脚
Fixed Leg | ⑥ 控制面板
Control Panel | ⑨ 安全阀组
Safety Valve Group | ⑫ 进水口
Inlet |

设备名称 Equipment	型号 Model	容量 Capacity	功率 Rating	电制 Voltage	尺寸 Size (W×D×H)	重量 Net Weight
船用可倾式电汤锅 (手动或电动) Marine Tilting Soup Boiling Pan (Manually Driven or Motor Driven)	BTB40/40E	40L	9kW	380-415V/3/50Hz 440-480V/3/60Hz	1020×570×1000mm	130kg
船用可倾式电汤锅 (手动或电动) Marine Tilting Soup Boiling Pan (Manually Driven or Motor Driven)	BTB60/60E	60L	9kW	380-415V/3/50Hz 440-480V/3/60Hz	1020×570×1000mm	135kg
船用可倾式电汤锅 (手动或电动) Marine Tilting Soup Boiling Pan (Manually Driven or Motor Driven)	BTB80/80E	80L	12kW	380-415V/3/50Hz 440-480V/3/60Hz	1120×670×1000mm	152kg
船用可倾式电汤锅 (手动或电动) Marine Tilting Soup Boiling Pan (Manually Driven or Motor Driven)	BTB100/100E	100L	15kW	380-415V/3/50Hz 440-480V/3/60Hz	1120×670×1000mm	166kg

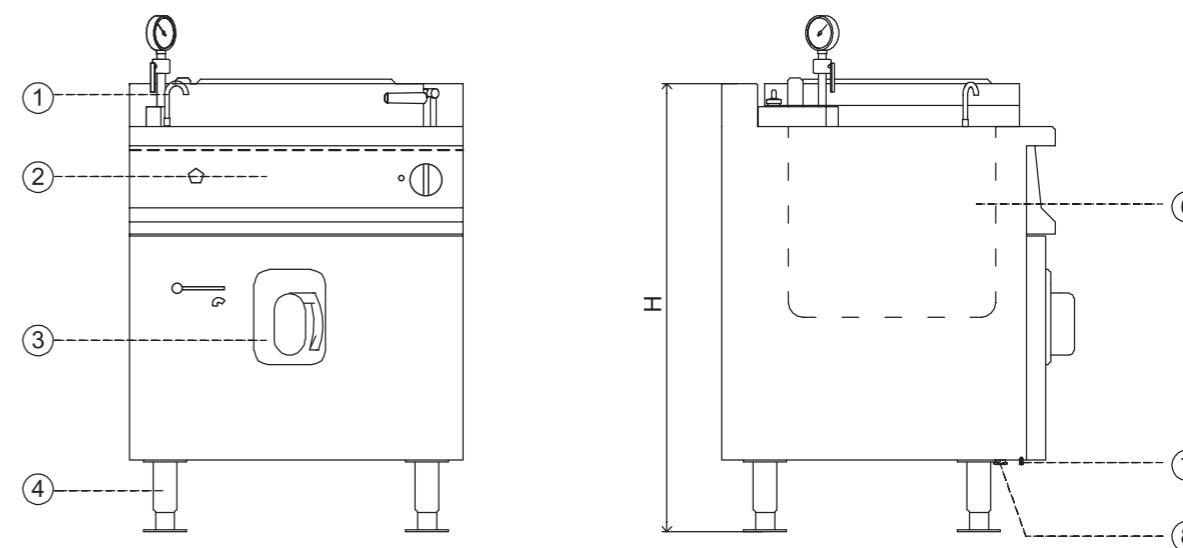
图片型号 PICTURE MODEL: BSG80

Marine Soup
Boiling Pan

船用固定式汤锅

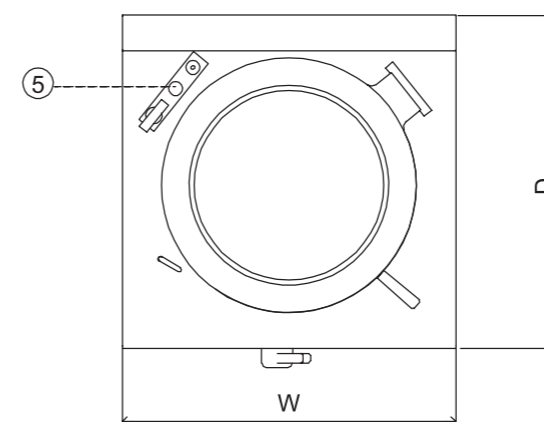


- ◆ 全不锈钢结构
S/S execution
- ◆ 锅体采用三层结构，间接加热，加热高效均匀
The pan body is designed with three insulation tiers ,
The heating is indirect, efficient and even
- ◆ 带有低水位自动断电保护功能
Automatic water lacking breaker protecting function
- ◆ 外置压力表、减压阀，对设备进行过压保护
External pressure gauge and pressure releasing valve
are applied for overpressure protection
- ◆ 外隔层间填充高复合隔热材料，确保热量不外导
The outer insulation tier is made of compound insulation material
and can prevent heat from radiating
- ◆ 带防风浪锅盖
Anti-storm pan lid is provided
- ◆ 两种加热方式：电加热、蒸汽加热
Two kinds of heating types: single electric heating type, single steam
heating type



正视图
FRONT

左视图
LEFT



俯视图
PLAN

- ① 加水龙头
Faucet
- ② 控制面板
Control panel
- ③ 排放阀
Drain valve
- ④ 船用可调节底脚
Marine Adjustable Leg
- ⑤ 安全阀组
Safety Valve Group
- ⑥ 内胆
Inner Enclosure
- ⑦ 接地螺栓
Earthing
- ⑧ 进线填料函
Cable Gland

设备名称 Equipment	型号 Model	容量 Capacity	功率 Rating	电制 Voltage	尺寸 Size (W×D×H)	重量 Net Weight
船用固定式汤锅 Marine Soup Boiling Pan	BSG40	40L	9kW	380-415V/3/50Hz 440-480V/3/60Hz	700x700x850	65kg
船用固定式汤锅 Marine Soup Boiling Pan	BSG60	60L	9kW	380-415V/3/50Hz 440-480V/3/60Hz	800x900x850	100kg
船用固定式汤锅 Marine Soup Boiling Pan	BSG80	80L	12kW	380-415V/3/50Hz 440-480V/3/60Hz	800x900x850	120kg
船用固定式汤锅 Marine Soup Boiling Pan	BSG100	100L	15kW	380-415V/3/50Hz 440-480V/3/60Hz	800x900x850	150kg

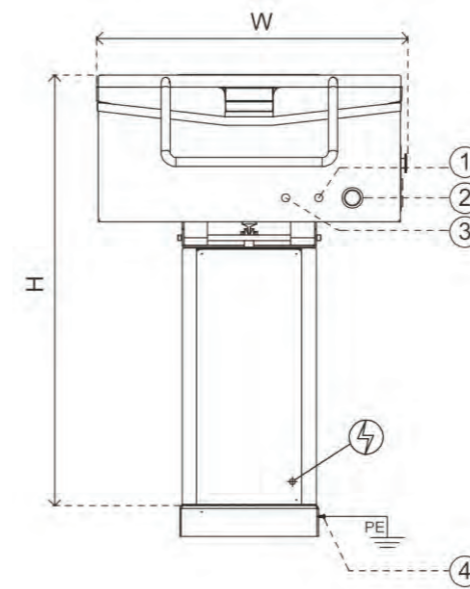
图片型号 PICTURE MODEL: BTF40E

Marine Tilting
Frying Pan

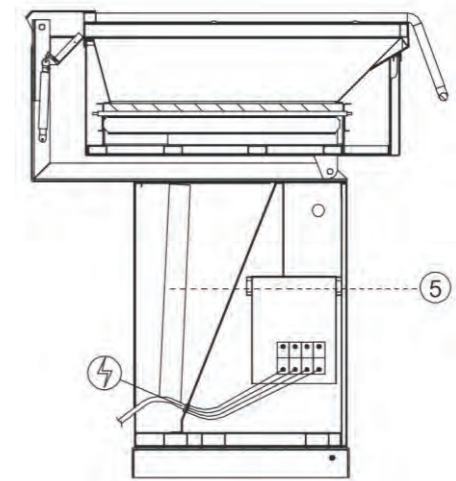
船用可倾式平底电炒锅



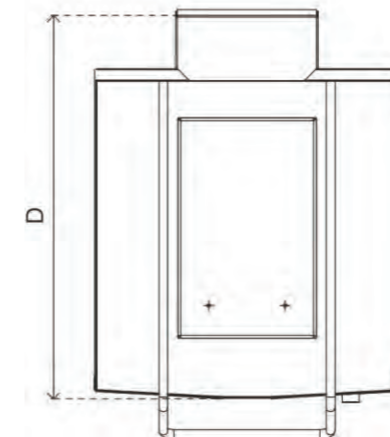
- ◆ 全不锈钢结构
S/S execution
- ◆ 锅底为 19 毫米厚铸铁板，热效率高
The bottom of the pan is made of 19mm thick cast iron plate which ensures high heat efficiency
- ◆ 电动倾斜装置，操作更方便省力
Electric tilting driven device ensures easy operation
- ◆ 加热温度在 60-300°C 之间可任意设定，并自动恒温
The cooking temperature can be adjusted from 60 to 300°C and keep stable automatically
- ◆ 并设有限位感应装置，锅底倾斜时自动停止加热
Limit switch automatically stop the heating when the pan is tilted
- ◆ 带防风浪气撑锅盖
Anti-storm pan lid is provided
- ◆ 可按照 NOSORK 标准定制
Can be customized according to NOSORK standard
- ◆ 可选送新风
Air supply system is optional



正视图
FRONT



左视图
LEFT



俯视图
PLAN

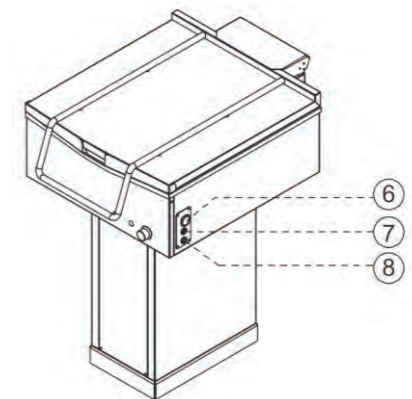


示意图
DIAGRAMMATIC

- | | | |
|--------------------------------|--------------------------------|-------------------------------|
| ① 加热指示灯
Heating Pilot Light | ④ 接地螺栓
Earthing | ⑦ 上升按钮
Tilting-up Switch |
| ② 温控旋钮
Thermostat Knob | ⑤ 直流线性电机
DC Linear Actuator | ⑧ 下降按钮
Tilting-down Switch |
| ③ 电源指示灯
Power Pilot Light | ⑥ 急停开关
Emergency Shut Off | |

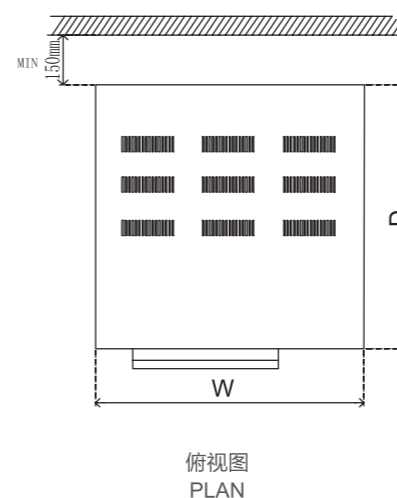
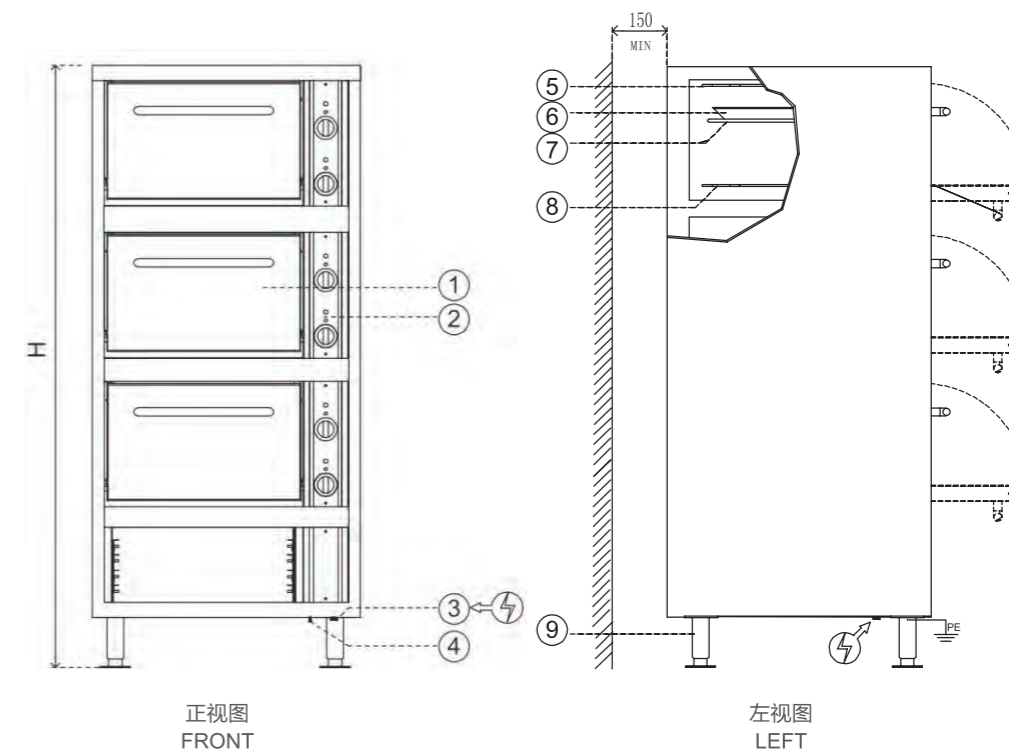
设备名称 Equipment	型号 Model	容量 Capacity	功率 Rating	电制 Voltage	尺寸 Size (W×D×H)	重量 Net Weight
船用可倾式平底电炒锅 Marine Tilting Frying Pan	BTF40E	40L	9kW	380-415V/3/50Hz 440-480V/3/60Hz	650×800×900mm	104kg
船用可倾式平底电炒锅 Marine Tilting Frying Pan	BTF60E	60L	12kW	380-415V/3/50Hz 440-480V/3/60Hz	850×800×900mm	125kg
船用可倾式平底电炒锅 Marine Tilting Frying Pan	BTF80E	80L	15kW	380-415V/3/50Hz 440-480V/3/60Hz	1100×800×900mm	150kg

图片型号 PICTURE MODEL: BKX201

Marine Baking Oven 船用电烤箱



- ◆ 全不锈钢结构
S/S execution
- ◆ 采用德国进口 E.G.O 温控
The thermostat is imported from E.G.O. Germany
- ◆ 加热温度在 50°C~300°C 之间可任意设定, 并自动恒温
The cooking temperature can be adjusted from 50 to 300°C and keep stable automatically
- ◆ 每层烤箱设上下两组加热器, 并独立控制
Upper and lower heating elements are fitted in oven and controlled separately
- ◆ 底层设开放式储物柜, 放置闲置烤盘
The bottom compartment is designed as an open cabinet for storing baking plates
- ◆ 下层烤箱可根据需求替换为醒发箱
The bottom tier of oven can be replaced with a proving oven
- ◆ 可选择对流式
Heat convection is optional



- ① 烤箱
Oven
- ② 控制面板
Control Panel
- ③ 进线填料函
Cable Gland
- ④ 接地螺栓
Earthing
- ⑤ 上层电热管
Upper Heating Element
- ⑥ 烤盘
Baking Plate
- ⑦ 烤架
Grill
- ⑧ 下层电热管
Lower Heating Element
- ⑨ 船用可调节底脚
Marine Adjustable Leg

设备名称 Equipment	型号 Model	功率 Rating	电制 Voltage	尺寸 Size (W×D×H)	重量 Net Weight
船用单层电烤箱连醒发箱 Marine Baking Oven W/Proving Cabinet (1 Decks)	BKX111	5.2kW	380-415V/3/50Hz 440-480V/3/60Hz	800×790×1350mm	150kg
船用双层电烤箱 Marine Baking Oven (2 Decks)	BKX201	8.4kW	380-415V/3/50Hz 440-480V/3/60Hz	800×790×1350mm	140kg
船用双层电烤箱连醒发箱 Marine Baking Oven W/Proving Cabinet (2 Decks)	BKX211	9.4kW	380-415V/3/50Hz 440-480V/3/60Hz	800×790×1800mm	250kg
船用三层电烤箱 Marine Baking Oven (3 Decks)	BKX301	12.6kW	380-415V/3/50Hz 440-480V/3/60Hz	800×790×1800mm	218kg

图片型号 PICTURE MODEL: MFEX

Marine Deep Fryer W/
Fire Extinguisher

船用带灭火系统深煎锅



- ◆ 全不锈钢结构
S/S execution
- ◆ 带独立自动 / 手动船用灭火器 (美国 ANSUL R-102 系统)
Independent auto/manual marine fire extinguisher (ANSUL R-102 System, USA) is provided
- ◆ 工作温控装置和安全温控装置 2 组独立设置
2 separate thermostat groups with working thermostat and safety thermostat
- ◆ 产品通过 SOLAS (2009)ISO15371:2009 测试
Units have been tested successfully under SOLAS (2009)ISO15371:2009
- ◆ 产品带 ABS 证书、CCS/DNV-GL 形式认可证书和 MED 证书
The products are with ABS certificates and CCS/DNV-GL、MED certificates type approval certificates
- ◆ 深冷油区设计, 改善烹饪质量, 延长食油寿命
The cryogenic oil tank can improve cooking result and keep the quality of oil for long time
- ◆ 上翻式电热管方便炸缸清洁
The flip-up type heating elements make the tanks easy to clean

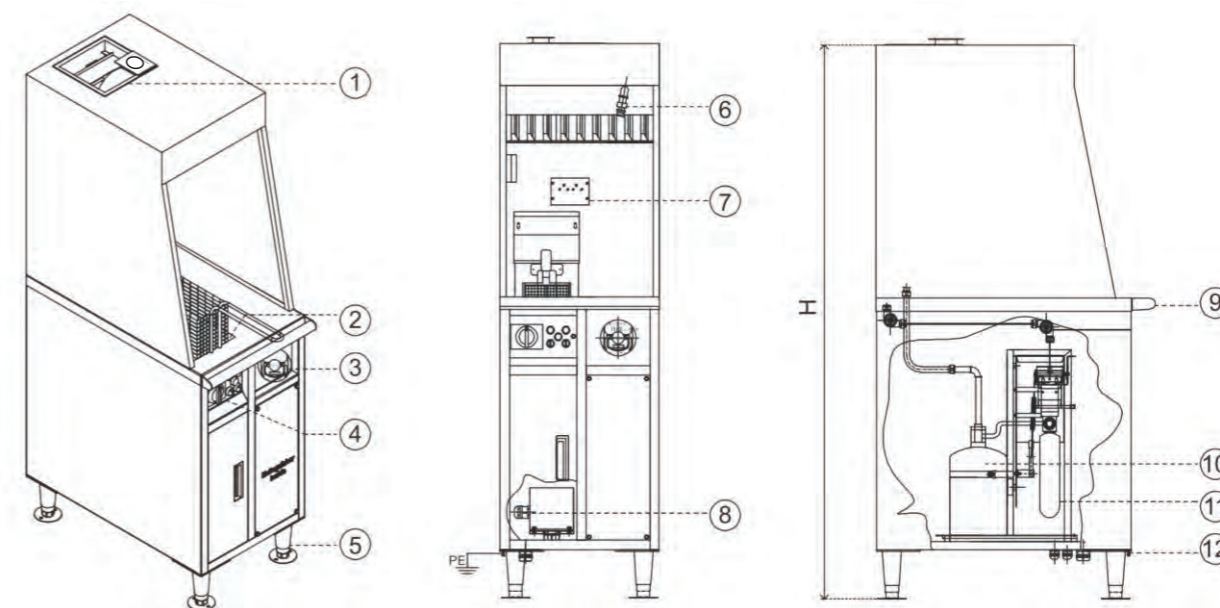
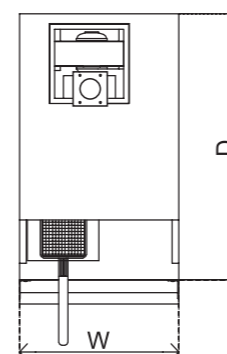


示意图
DIAGRAMMATIC

正视图
FRONT

左视图
LEFT



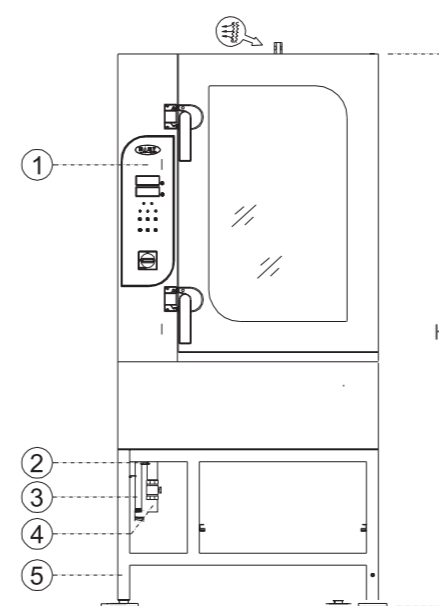
俯视图
PLAN

- | | | |
|-----------------------------------|--------------------------------------|-----------------------------------|
| ① 排风扇
Exhaust Fan | ⑤ 船用可调节底脚
Marine Adjustable Leg | ⑨ 防浪扶手
Handrail |
| ② 炸缸
Frying Vat | ⑥ 灭火喷嘴
Extinguish Nozzle | ⑩ 灭火剂储液罐
Extinguisher Cylinder |
| ③ 手动释放拉环
Manual Release Puller | ⑦ 极限温控复位按钮
Limit Thermostat Reset | ⑪ 驱动氮气瓶
Nitrogen Cylinder |
| ④ 控制面板
Control Panel | ⑧ 控制箱
Control Box | ⑫ 接地螺栓
Earthing |

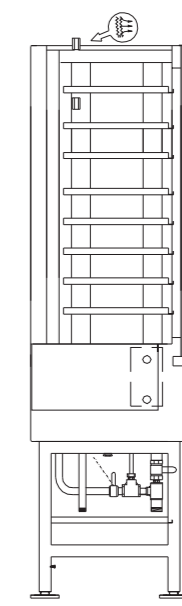
设备名称 Equipment	型号 Model	容量 Capacity	功率 Rating	电制 Voltage	尺寸 Size (W×D×H)	重量 Net Weight
船用深煎锅带灭火系统深煎锅 Marine Deep Fryer W/Fire Extinguisher	MFEX	10L	7.5kW-9.5kW	380-415V/3/50Hz 440-480V/3/60Hz	500x800x1750mm	125kg
船用深煎锅带灭火系统深煎锅 Marine Deep Fryer W/Fire Extinguisher	MFEX	10Lx2	15kW-19kW	380-415V/3/50Hz 440-480V/3/60Hz	650x800x1750mm	145kg
船用深煎锅带灭火系统深煎锅 Marine Deep Fryer W/Fire Extinguisher	MFEX	20L	7.5kW-9.5kW	380-415V/3/50Hz 440-480V/3/60Hz	650x800x1750mm	145kg

图片型号 PICTURE MODEL: BRC08

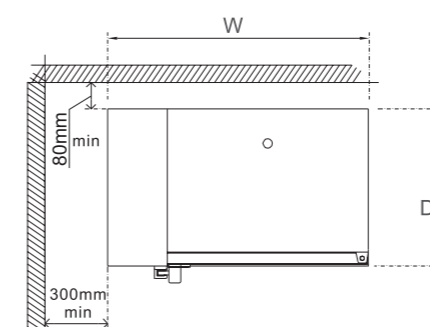
Marine Elec.
Rice Steam Cooker
船用电热蒸饭箱



正视图
FRONT



左视图
LEFT



俯视图
PLAN

- ① 控制面板
Control Panel
- ② 进线填料函
Cable Gland
- ③ 进水口
Inlet
- ④ 排水口
Drain
- ⑤ 不锈钢底座
S/S Stand

- ◆ 全不锈钢结构
S/S execution
- ◆ 可视玻璃窗设计, 可随时检查箱内情况
Design of visible glass window to check the condition inside the box at any moment
- ◆ 设有定时、定温功能
The cooking duration and cooking temperature can be adjusted
- ◆ 设有自动补水和防干烧报警功能
Automatic water compensation and dry-burning alarm
- ◆ 控制系统和饭箱一体化设计, 便于操作和安装
Control system and tank are integrated for easy operation and installation

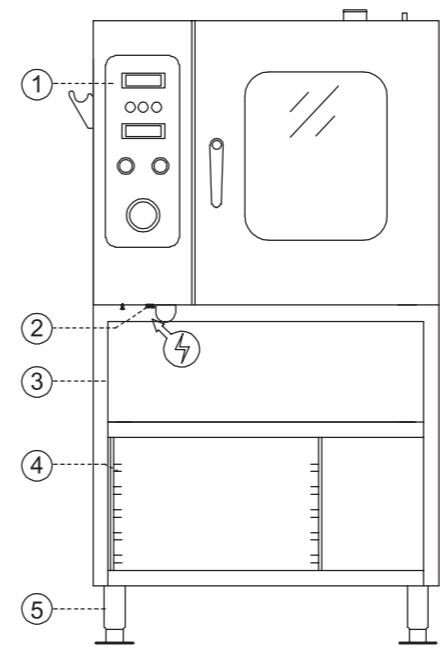
设备名称 Equipment	型号 Model	容量 Capacity	功率 Rating	电制 Voltage	尺寸 Size (W×D×H)	重量 Net Weight
船用电热蒸饭箱 Marine Elec. Rice Steam Cooker	BRC08	8x1/1GN	9kW	380-415V/3/50Hz 440-480V/3/60Hz	830x500x1750mm	112kg
船用电热蒸饭箱 Marine Elec. Rice Steam Cooker	BRC16	16x1/1GN	12kW	380-415V/3/50Hz 440-480V/3/60Hz	830x780x1750mm	150kg

图片型号 PICTURE MODEL: BCO6.10

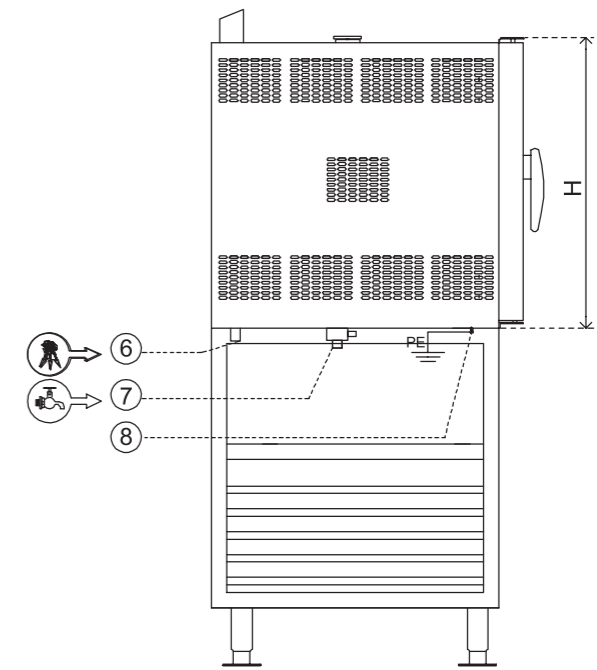
Marine Combi Oven 船用万能蒸烤箱



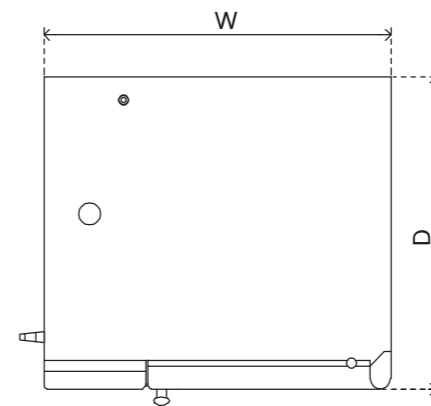
- ◆ 全不锈钢结构
S/S execution
- ◆ 蒸烤一体机设计，适用于烹饪各种菜肴
Steaming and baking are both available, suitable for cooking various of cuisines
- ◆ 2级开门设计，防止蒸汽突然溢出致人员烫伤
Two-stop door opening design, preventing steam from escaping suddenly and scalding human
- ◆ 内腔所有角部均为圆滑设计，便于清理
All corners of inner cavity are round for easy access to impurities and cleaning
- ◆ 设有探针，可探测食物中心温度
Probe which can detect the central temperature of food is fitted
- ◆ 采用雾化产生蒸汽，可抑制水垢的形成
Steam is generated by atomizing which can restrain the formation of scale
- ◆ 自动补水及缺水报警
Automatic water compensation and water lacking alarm are available
- ◆ 不锈钢底座（可选）
S/S stand (Optional)



正视图
FRONT



左视图
LEFT



俯视图
PLAN

- | | |
|------------------------------------|--------------------|
| ① 控制面板
Control Panel | ⑥ 排水口
Drain |
| ② 进线填料函
Cable Gland | ⑦ 进水口
Inlet |
| ③ 不锈钢底座
S/S stand | ⑧ 接地螺栓
Earthing |
| ④ 导轨
Guide Rail | |
| ⑤ 船用可调节底脚
Marine Adjustable Leg | |

设备名称 Equipment	型号 Model	容量 Capacity	功率 Rating	电制 Voltage	尺寸 Size (W×D×H)	重量 Net Weight
船用万能蒸烤箱 Marine Combi Oven	BCO6.10	6x1/1GN	12.5kW	380-415V/3/50Hz 440-480V/3/60Hz	910x820x900mm	150kg
船用万能蒸烤箱 Marine Combi Oven	BCO10.10	10x1/1GN	18.5kW	380-415V/3/50Hz 440-480V/3/60Hz	910x820x1080mm	180kg
船用万能蒸烤箱 Marine Combi Oven	BCO20.10	20x1/1GN	37kW	380-415V/3/50Hz 440-480V/3/60Hz	910x820x1880mm	350kg
不锈钢底座 (可选购) S/S stand (Optional)						

图片型号 PICTURE MODEL: BDY5

Marine Automatic
Bean-sprout Maker

船用全自动豆芽机



- ◆ 全不锈钢结构
S/S execution
- ◆ 温度、湿度、淋水全程智能化电脑控制，无需人力配合，确保豆芽生产周期在 2—3 天内
Temperature, humidity and water spraying can be fully controlled by intelligent computer. The production cycle can be controlled as two to three days, no labour is needed
- ◆ 大容量设计，确保长时间都有豆芽供应
Big capacity for sufficient output

设备名称 Equipment	型号 Model	容量 Capacity	功率 Rating	电制 Voltage	尺寸 Size (W×D×H)	重量 Net Weight
船用全自动豆芽机 Marine Automatic Bean-sprout Maker	BDY5	60kg/load	2.8kW	220V/1/50Hz 230V/1/60Hz	700x630x1800mm	90kg
船用全自动豆芽机（带制冷） Marine Automatic Bean-sprout Maker(with Cooling)	BDY4C	50kg/load	2.8kW	220V/1/50Hz 230V/1/60Hz	700x630x1850mm	145kg

图片型号 PICTURE MODEL:BDJ70

Marine Soya-bean
Milk Maker

船用豆浆机



- ◆ 全不锈钢结构
S/S execution
- ◆ 磨浆、煮浆一体化设计，简单方便
Grinding and boiling are incorporated on single machine
- ◆ 磨浆时，浆渣自动分离
The bean milk and dreg can be separated automatically when being grinded



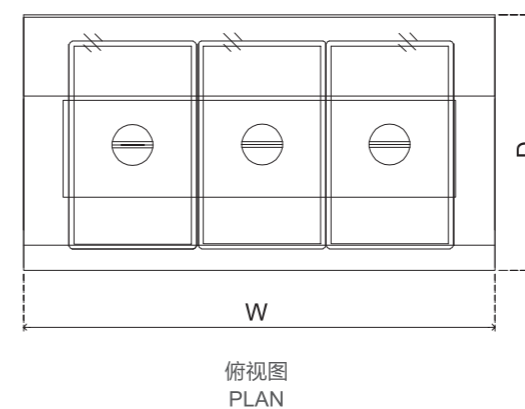
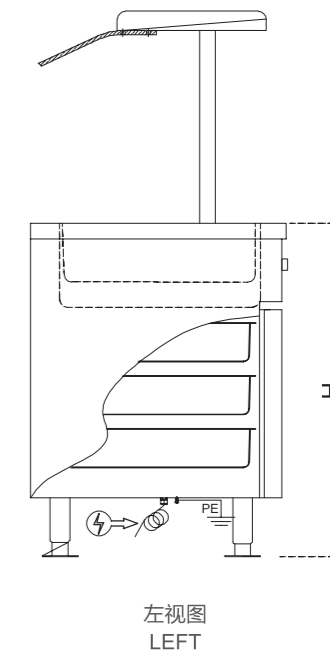
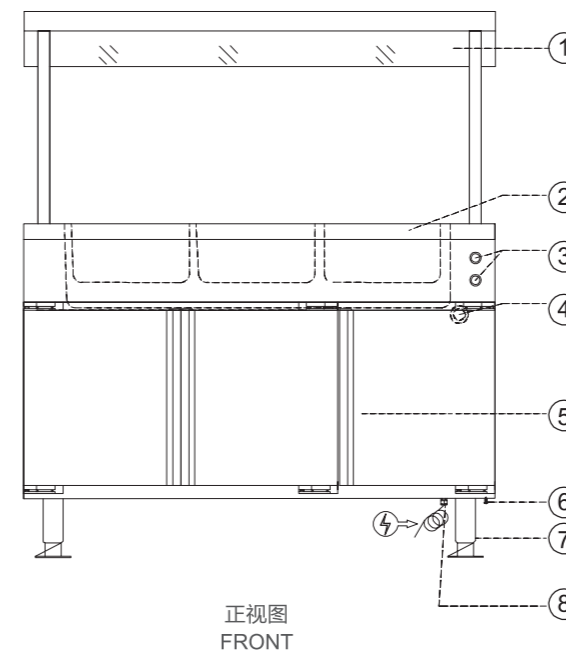
设备名称 Equipment	型号 Model	容量 Capacity	功率 Rating	电制 Voltage	尺寸 Size (W×D×H)	重量 Net Weight
船用豆浆机 Marine Soya-bean Milk Maker	BDJS35	35kg/Hr	0.75kW	220V/1/50Hz 230V/1/60Hz	305x435x775mm	28kg
船用豆浆机 Marine Soya-bean Milk Maker	BDJS80	80kg/Hr	1.1kW	220V/1/50Hz 230V/1/60Hz	480x390x900mm	55kg
船用豆浆豆腐机 Marine Soya-bean Milk and Tofu Maker	BDJ70	70kg/Hr	13kW	380-415V/3/50Hz 440-480V/3/60Hz	1095x650x1350mm	108kg
船用豆腐压榨机 Marine Tofu Squeezer	CDV35	35kg/load			600x540x765mm	50kg

图片型号 PICTURE MODEL: BBM1265

Marine Bain Marie 船用电热保温桌



- ◆ 全不锈钢结构
S/S execution
- ◆ 加热方式有干烧和水烧两种形式可选
Dry-Heating and Wet-Heating (optional)
- ◆ 台面按照标准 GN 份数盘尺寸设计
The top is designed according to standard G/N size
- ◆ 可选择单侧或双侧透明卫生罩
Either single-sided sneeze guard or double-sided sneeze guard is available
- ◆ 柜内可选配普通储物柜或热柜
The cabinet can be made into common storing cabinet or heating cabinet
- ◆ 可选配照明灯或暖食灯
Light or heat radiator (optional)



- ① 玻璃罩
Glass Cover
- ② 1/1GN 份数盘
1/1GN Container
- ③ 电源开关
Power Switch
- ④ 温控器
Temp.Control
- ⑤ 磁吸门
Magnetic Door
- ⑥ 接地螺栓
Earthing
- ⑦ 船用可调节底脚
Marine Adjustable Leg
- ⑧ 电源线
Electric Cord

设备名称 Equipment	型号 Model	容量 Capacity	功率 Rating	电制 Voltage	尺寸 Size (WxDxH)	重量 Net Weight
船用电热保温桌 Marine Bain Marie	BBM0865	2x1/1GN-150mm	2kW	220V/1/50Hz 230V/1/60Hz	800x650x850mm	59kg
船用电热保温桌 Marine Bain Marie	BBM1265	3x1/1GN-150mm	2kW	220V/1/50Hz 230V/1/60Hz	1200x650x850mm	69kg
船用电热保温桌 Marine Bain Marie	BBM1665	4x1/1GN-150mm	2.8kW	220V/1/50Hz 230V/1/60Hz	1600x650x850mm	130kg
船用电热保温桌 Marine Bain Marie	BBM2065	5x1/1GN-150mm	2.8kW	220V/1/50Hz 230V/1/60Hz	2000x650x850mm	157kg

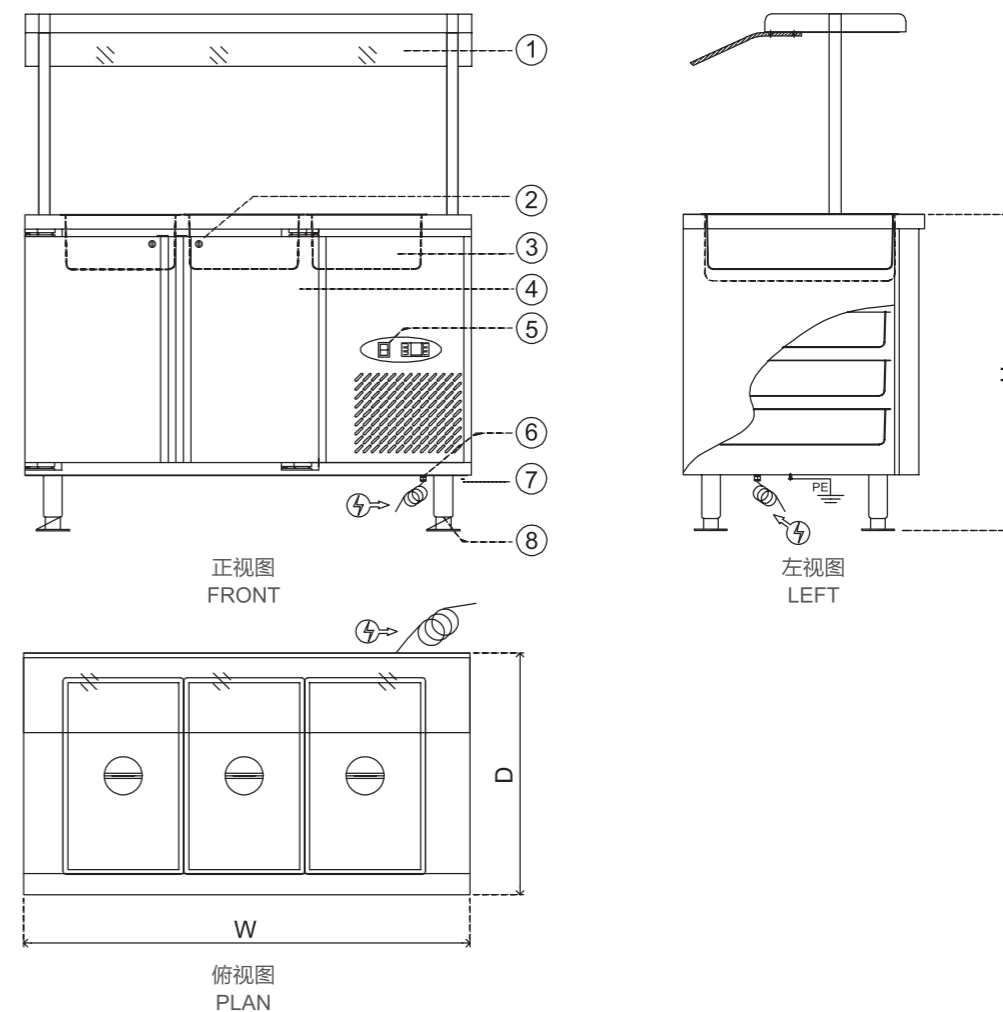
卫生罩、暖食灯、照明灯、热柜 (可选购)
Sneeze Guard, Heat Radiator Light, Light and Heating Cabinet (optional)

图片型号 PICTURE MODEL: BCF1265

Marine Cold Basin + Cabin 船用冷餐台



- ◆ 全不锈钢结构
S/S execution
- ◆ 台面按照标准 GN 份数盘尺寸设计
The top is designed according to standard G/N size
- ◆ 采用优质进口压缩机及环保型制冷剂
Imported compressor with good quality and environmental-friendly refrigerant
- ◆ 采用电子温控，数字显示
Electronic thermostat with numeral display
- ◆ 柜内带 GN 搁架
GN shelves are fitted inside the cabinet
- ◆ 可选配单侧或双侧透明卫生罩
Either single-sided sneeze guard or double-sided sneeze guard is available
- ◆ 可选配照明灯
Light (optional)



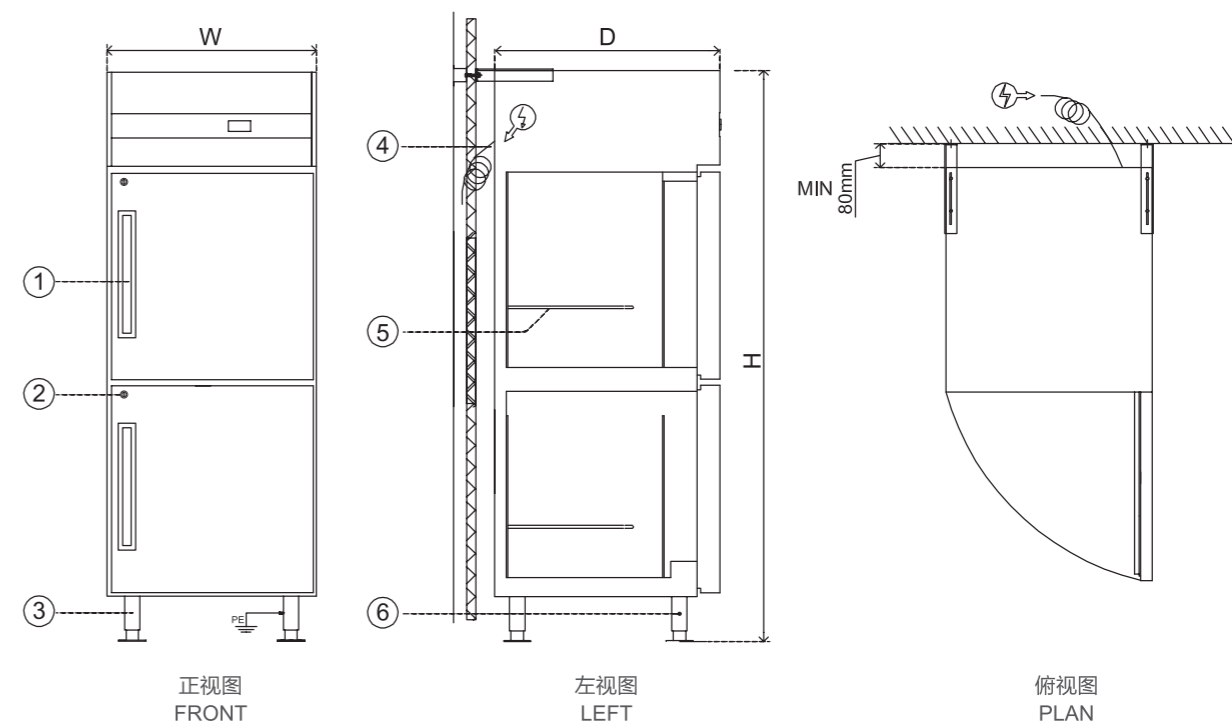
- ① 玻璃罩
Glass Cover
- ② 门锁
Locker
- ③ GN1/1 份数盘
GN1/1 Container
- ④ 磁吸门
Magnetic Door
- ⑤ 控制面板
Control Panel
- ⑥ 电源线
Electric Cord
- ⑦ 接地螺栓
Earthing
- ⑧ 船用可调节底脚
Marine Adjustable Leg

设备名称 Equipment	型号 Model	容量 Capacity	功率 Rating	电制 Voltage	尺寸 Size (W×D×H)	重量 Net Weight
船用冷餐台 Marine Cold Basin + Cabin	BCF0865	2x1/1GN-100mm	0.5kW	220V/1/50Hz 230V/1/60Hz	800x650x850mm	90kg
船用冷餐台 Marine Cold Basin + Cabin	BCF1265	3x1/1GN-100mm	0.7kW	220V/1/50Hz 230V/1/60Hz	1200x650x850mm	105kg
船用冷餐台 Marine Cold Basin + Cabin	BCF1665	4x1/1GN-100mm	0.9kW	220V/1/50Hz 230V/1/60Hz	1600x650x850mm	120kg

卫生罩、照明灯 (可选购)
Sneeze Guard, light (optional)

图片型号 PICTURE MODEL:BRF400

Marine S/S Refrigerator 船用不锈钢冰箱



- | | | |
|-----------------|------------------------------------|--------------------|
| ① 门把手
Handle | ③ 船用可调节底脚
Marine Adjustable Leg | ⑤ 搁架
Shelf |
| ② 门锁
Locker | ④ 电源线
Electric Cord | ⑥ 接地螺栓
Earthing |

- ◆ 全不锈钢结构
S/S execution
- ◆ 单冷藏、单冷冻或双温型可选
Single-Refrigerating, Single-Freezing and Dual-Temperature types are optional
- ◆ 采用优质进口压缩机及环保型制冷剂
Imported compressor with good quality and environmental-friendly refrigerant
- ◆ 冰箱左右开门方向可互换，带锁
The door opening direction is changeable. Lock is fitted
- ◆ 采用电子温控，数字显示
Electronic thermostat with numeral display
- ◆ 特殊规格可定制
Custom refrigerators are available

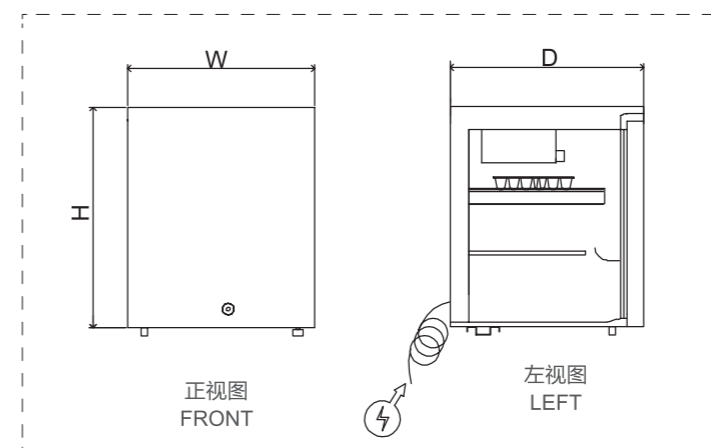
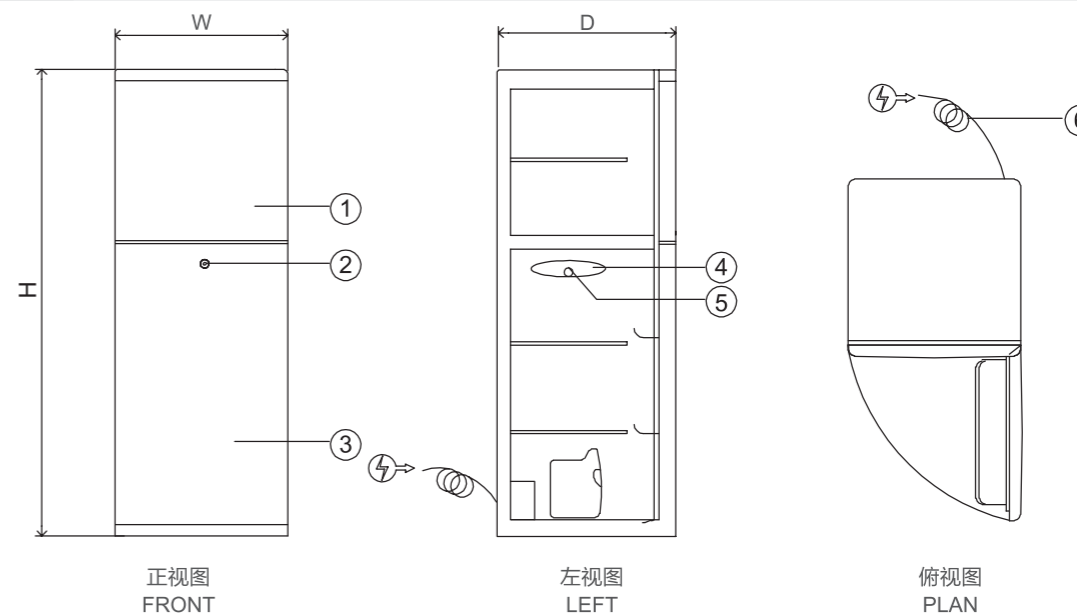
设备名称 Equipment	型号 Model	容量 Capacity	功率 Rating	电制 Voltage	尺寸 Size (W×D×H)	重量 Net Weight
船用不锈钢冰箱 (冷藏/冷冻) Marine S/S Refrigerator (Refrigerating/Freezing)	BRF300	300L	0.4kW	220V/1/50Hz 230V/1/60Hz	650×700×1820mm	100kg
船用不锈钢冰箱 (冷藏/冷冻) Marine S/S Refrigerator (Refrigerating/Freezing)	BRF400	400L	0.4kW	220V/1/50Hz 230V/1/60Hz	680×700×1900mm	110kg
船用不锈钢冰箱 (冷藏/冷冻) Marine S/S Refrigerator (Refrigerating/Freezing)	BRF600	600L	0.6kW	220V/1/50Hz 230V/1/60Hz	830×750×1900mm	155kg
船用不锈钢冰箱 (冷藏/冷冻) Marine S/S Refrigerator (Refrigerating/Freezing)	BFR1200	1200L	0.9kW	220V/1/50Hz 230V/1/60Hz	1500×760×1900mm	195kg
船用不锈钢工作台冰箱 (冷藏) Marine S/S Refrigerating Counter (Refrigerating)	TB300R	300L	0.7kW	220V/1/50Hz 230V/1/60Hz	1500×700×850mm	110kg
船用不锈钢工作台冰箱 (冷藏) Marine S/S Refrigerating Counter (Refrigerating)	TB600R	600L	0.9kW	220V/1/50Hz 230V/1/60Hz	2200×700×850mm	130kg

图片型号 PICTURE MODEL:DR-70/DFR-230

Marine Cabin Refrigerator 船用舱室冰箱



- ◆ 表面采用烤瓷处理
Enameled surface
- ◆ 容量 50L—330L 可供选择并带锁
The capacity is variable between 50L to 330L and lock is available
- ◆ 采用高性能压缩机及环保型制冷剂 R134a
Compressor with good quality and environment-friendly refrigerant R134 are used
- ◆ 采用环戊烷碳氢无氟微孔发泡，保温性能好
Cyclopentane fluorine free hydrocarbon microcellular foaming is used for good thermal insulation
- ◆ 可选配船用落地可调节底脚及固定支架
Marine adjustable legs and rear fasteners are optional



- ① 冷冻室
Freezing Chamber
- ② 门锁
Locker
- ③ 冷藏室
Refrigerating Chamber
- ④ 温控器
Temp Controller
- ⑤ 照明灯
Chamber Light
- ⑥ 电源线
Electric Cord

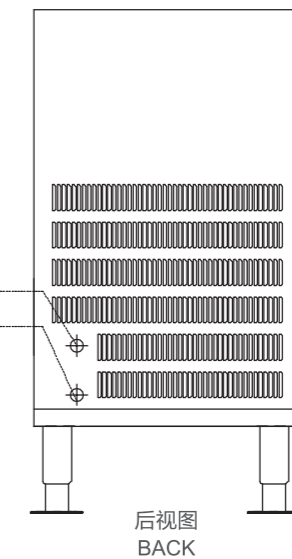
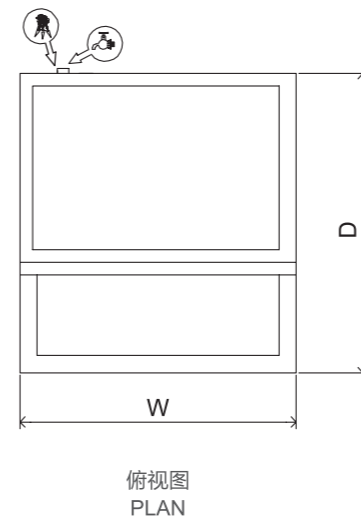
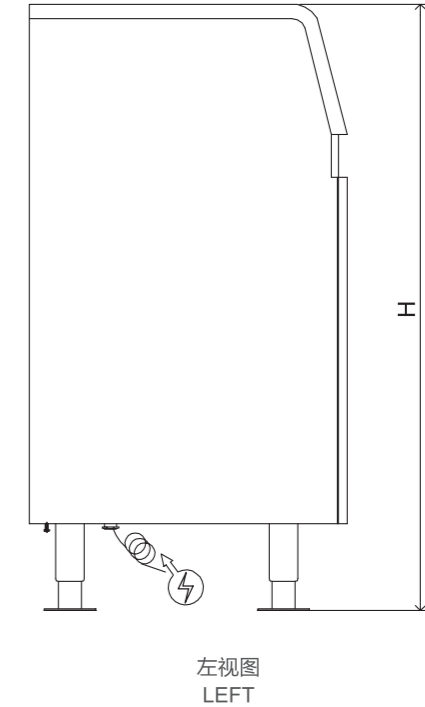
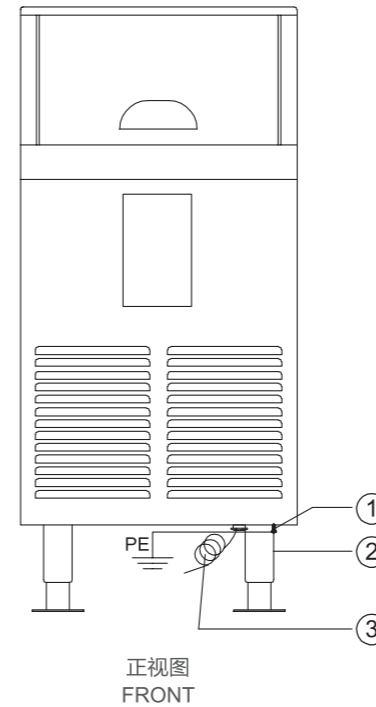
设备名称 Equipment	型号 Model	容量 Capacity	功率 Rating	电制 Voltage	尺寸 Size (W×D×H)	重量 Net Weight
船用舱室冰箱 (单门) Marine Cabin Refrigerator (Single-Door)	DR-50	50L	0.08kW	220V/1/50Hz 230V/1/60Hz	480×450×487mm	16kg
船用舱室冰箱 (单门) Marine Cabin Refrigerator (Single-Door)	DR-70	70L	0.09kW	220V/1/50Hz 230V/1/60Hz	475×445×625mm	17kg
船用舱室冰箱 (单门) Marine Cabin Refrigerator (Single-Door)	DR-90	90L	0.1kW	220V/1/50Hz 230V/1/60Hz	470×440×835mm	20kg
船用舱室冰箱 (单门) Marine Cabin Refrigerator (Single-Door)	DR-120	120L	0.11kW	220V/1/50Hz 230V/1/60Hz	510×550×805mm	32kg
船用舱室冰箱 (双门) Marine Cabin Refrigerator (Double-Door)	DFR-140	140L	0.13kW	220V/1/50Hz 230V/1/60Hz	460×525×1305mm	32kg
船用舱室冰箱 (双门) Marine Cabin Refrigerator (Double-Door)	DFR-180	180L	0.14kW	220V/1/50Hz 230V/1/60Hz	550×560×1250mm	35kg
船用舱室冰箱 (双门) Marine Cabin Refrigerator (Double-Door)	DFR-230	230L	0.15kW	220V/1/50Hz 230V/1/60Hz	550×570×1410mm	41kg
船用舱室冰箱 (双门) Marine Cabin Refrigerator (Double-Door)	DFR-330	330L	0.25kW	220V/1/50Hz 230V/1/60Hz	600×580×1890mm	52kg

图片型号 PICTURE MODEL:BF26

Marine Ice Maker 船用制冰机



- ◆ 主体不锈钢结构
The Main Body is made of stainless steel
- ◆ 采用优质进口压缩机
Imported compressor with good quality is used
- ◆ 微电脑全自动控制，方便实用
Micro-computer controlled, convenient for operation
- ◆ 自动故障保护功能，安全可靠
With automatic malfunction prevention function for safety operation
- ◆ 有多种规格可选择，满足不同需要
Models of different capacity are available



- ① 接地螺栓
Earthing
- ② 船用可调节底脚
Marine Adjustable Leg
- ③ 电源线
Power Cord
- ④ 进水口
Inlet
- ⑤ 出水口
Drain

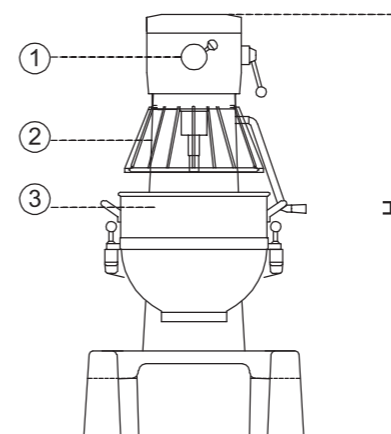
设备名称 Equipment	型号 Model	生产量 Productivity	功率 Rating	电制 Voltage	尺寸 Size (W×D×H)	重量 Net Weight
船用制冰机 Marine Ice Maker	BF26	26kg/Day	0.68kW	220V/1/50Hz 230V/1/60Hz	480x550x1045mm	42kg
船用制冰机 Marine Ice Maker	BF36	36kg/Day	0.72kW	220V/1/50Hz 230V/1/60Hz	480x550x1000mm	43kg
船用制冰机 Marine Ice Maker	BF76	76kg/Day	1.1kW	220V/1/50Hz 230V/1/60Hz	670x650x1110mm	66kg
船用制冰机 Marine Ice Maker	BF96	96kg/Day	1.7kW	220V/1/50Hz 230V/1/60Hz	670x650x1100mm	70kg

图片型号 PICTURE MODEL: BUM-20L

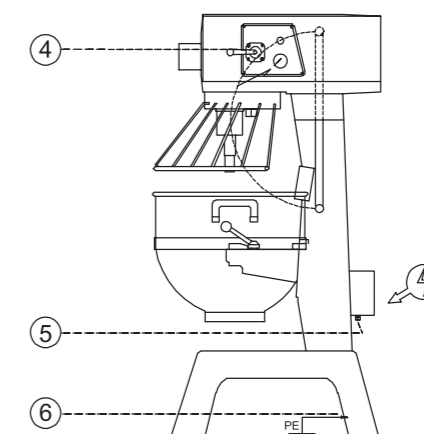
Marine Universal Machine 船用多用途机



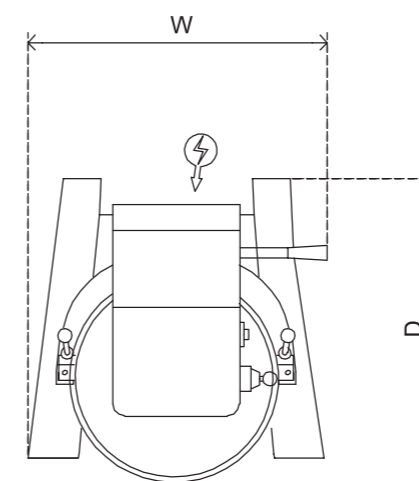
- ◆ 不锈钢搅拌桶
Stainless steel bowl
- ◆ 配备进口电机及控制系统
Equipped with imported motor and control system
- ◆ 设有不锈钢安全网罩
Equipped with Stainless steel safety guard
- ◆ 带标准三种搅拌器
Provided with 3 standard mixing accessories
- ◆ 可选配绞肉头及切菜头组件
Optional meat grinder and vegetable-cutting assembly



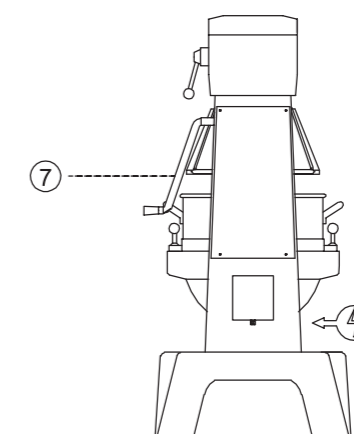
正视图
FRONT



右视图
RIGHT



俯视图
PLAN



后视图
BACK

- ① 附件驱动装置
Attached Driver
- ② 防护罩
Safety Guard
- ③ 桶体
Bowl
- ④ 控制面板
Control Panel
- ⑤ 进线填料函
Cable Gland
- ⑥ 接地螺栓
Earthing
- ⑦ 桶体升降手柄
Bowl Raising Handle

设备名称 Equipment	型号 Model	容量 Capacity	功率 Rating	电制 Voltage	尺寸 Size (W×D×H)	重量 Net Weight
船用多用途机 Marine Universal Machine	BUM-10L	10L	0.5kW	220V/1/50Hz 230V/1/60Hz	505x475x710mm	36kg
船用多用途机 Marine Universal Machine	BUM-20L	20L	1.1kW	220V/1/50Hz 230V/1/60Hz	630x590x890mm	112kg
船用多用途机 Marine Universal Machine	BUM-30L	30L	1.5kW	380-415V/3/50Hz 440-480V/3/60Hz	710x670x1270mm	180kg
船用多用途机 Marine Universal Machine	BUM-40L	40L	2.2kW	380-415V/3/50Hz 440-480V/3/60Hz	660x710x1200mm	190kg
船用多用途机 Marine Universal Machine	BUM-60L	60L	3kW	380-415V/3/50Hz 440-480V/3/60Hz	882x976x1525mm	472kg

MARINE GALLEY PROCESSING EQUIPMENT

船用厨房加工设备

图片型号 PICTURE MODEL:BS1650A

船用锯骨机 Marine Bone Saw

型号 Model	BS1650A
规格 Spec.	锯条长: 1650mm Saw Length: 1650mm
功率 Rating	0.75kW
电制 Voltage	220V/1/50Hz 230V/1/60Hz
尺寸 Size (W×D×H)	465x442x885mm
重量 Net Weight	38kg



不锈钢基座可选购
Stainless steel base (optional)

图片型号 PICTURE MODEL:BPP-10L

船用土豆去皮机 Marine Potato Peeler

型号 Model	BPP-10L	BPP-15L
容量 Capacity	10kg 200kg/Hr	15kg 300kg/Hr
功率 Rating	0.75kW	0.95kW
电制 Voltage	220V/1/50Hz 230V/1/60Hz	220V/1/50Hz 230V/1/60Hz
尺寸 Size (W×D×H)	320x440x1140mm	380x460x1350mm
重量 Net Weight	58kg	65kg



MARINE GALLEY PROCESSING EQUIPMENT

船用厨房加工设备

图片型号 PICTURE MODEL:BMS-250L

船用肉类切片机 Marine Meat Slicer

型号 Model	BMS-250L	BMS-300L
规格 Spec.	刀片直径: ϕ 250 Blade Dia: ϕ 250	刀片直径: ϕ 300 Blade Dia: ϕ 300
功率 Rating	0.15kW	0.25kW
电制 Voltage	220V/1/50Hz 230V/1/60Hz	220V/1/50Hz 230V/1/60Hz
尺寸 Size (W×D×H)	460x380x370mm	575x470x430mm
重量 Net Weight	17kg	24kg



图片型号 PICTURE MODEL:BMG-12A

船用绞肉机 Marine Meat Grinder

型号 Model	BMG-12A	BMG-22A
容量 Capacity	120千克/小时 120kg/Hr	220千克/小时 220kg/Hr
功率 Rating	0.85kW	1.1kW
电制 Voltage	220V/1/50Hz 230V/1/60Hz	220V/1/50Hz 230V/1/60Hz
尺寸 Size (W×D×H)	465x200x385mm	490x200x395mm
重量 Net Weight	21kg	24kg




MARINE GALLEY PROCESSING EQUIPMENT

船用厨房加工设备

图片型号 PICTURE MODEL:BFM-45

船用和面机 Marine Dough Kneading Machine

型号 Model	BFM-20	BFM-35	BFM-45	BFM-75	
容量 Capacity	20L (7kg)	35L (12kg)	45L (15kg)	75L (25kg)	
功率 Rating	0.75kW	1.1kW	2.2kW	3.3kW	
电制 Voltage	380-415V/3/50Hz 440-480V/3/60Hz	380-415V/3/50Hz 440-480V/3/60Hz	380-415V/3/50Hz 440-480V/3/60Hz	380-415V/3/50Hz 440-480V/3/60Hz	
尺寸 Size (W×D×H)	385x690x675/825mm	430x720x730/880mm	490x820x1035/1185mm	620x920x1230mm	
重量 Net Weight	91kg	105kg	182kg	250kg	

图片型号 PICTURE MODEL:BMT30A

船用压面机 Marine Noodle Making Machine

型号 Model	BMT30A	
容量 Capacity	30kg/Hr	
功率 Rating	1.5kW	
电制 Voltage	220V/1/50Hz 230V/1/60Hz	
尺寸 Size (W×D×H)	470x360x975mm	
重量 Net Weight	98kg	

MARINE MESS ROOM EQUIPMENT

船用餐厅设备


图片型号 PICTURE MODEL:BM2/CM508

船用咖啡机 Marine Coffee Machine

型号 Model	BM2	BA2	CM508	
容量 Capacity	15L/Hr	15L/Hr	120Cups/Hr	
功率 Rating	2.4kW	2.4kW	1.3kW	
电制 Voltage	220V/1/50Hz 230V/1/60Hz	220V/1/50Hz 230V/1/60Hz	220V/1/50Hz 230V/1/60Hz	
尺寸 Size (W D H)	205x365x450mm	205x365x450mm	350x300x460mm	
重量 Net Weight	7kg	10kg	12kg	

图片型号 PICTURE MODEL:BUW/C BUW/CH

船用饮水机 Marine Water Dispenser

型号 Model	船用冰饮水机 Marine Ice Water Dispenser BUW/C	船用冰饮水机 Marine Ice Water Dispenser BUW/C-50	船用冰、热饮水机 Marine Hot & Ice Water Dispenser BUW/CH	
容量 Capacity	25L/Hr	50L/Hr	25L/Hr	
功率 Rating	0.18kW	0.38kW	1.18kW	
电制 Voltage	220V/1/50Hz 230V/1/60Hz	220V/1/50Hz 230V/1/60Hz	220V/1/50Hz 230V/1/60Hz	
尺寸 Size (W D H)	360x270x990mm	360x270x990mm	430x305x995mm	
重量 Net Weight	26kg	28kg	32kg	
	紫外线消毒器可选购 UV Sterilizer (optional)			

MARINE MESS ROOM EQUIPMENT

船用餐厅设备

图片型号 PICTURE MODEL: BWB-15

船用壁挂式开水器 (圆) Marine Automatic Electric Water Boiler(Round Type)

型号 Model	BWB-10	BWB-15
容量 Capacity	20L/Hr	30L/Hr
功率 Rating	3kW	3kW
电制 Voltage	220V/1/50Hz 230V/1/60Hz	220V/1/50Hz 230V/1/60Hz
尺寸 Size (WxDxH)	ø250x 440mm	ø250x540mm
重量 Net Weight	8kg	10kg



图片型号 PICTURE MODEL: BWB-35S

船用壁挂式开水器 (方) Marine Automatic Electric Water Boiler(Square Type)

型号 Model	BWB-25S	BWB-35S	BWB-70S
容量 Capacity	25L/H	35L/H	70L/H
功率 Rating	2kW	3kW	6kW
电制 Voltage	220V/1/50Hz 230V/1/60Hz	220V/1/50Hz 230V/1/60Hz	380-415V/3/50Hz 440-480V/3/60Hz
尺寸 Size (WxDxH)	400x340x520mm	400x340x650mm	440x350x750mm
重量 Net Weight	13kg	20kg	35kg



MARINE MESS ROOM EQUIPMENT

船用餐厅设备

图片型号 PICTURE MODEL: BIC7236E

船用冰淇淋机 Marine Ice Cream

型号 Model	BIC7230E	BIC7236E
容量 Capacity	30L/Hr	36L/Hr
功率 Rating	2.2kW	2.4kW
电制 Voltage	220V/1/50Hz 230V/1/60Hz	220V/1/50Hz 230V/1/60Hz
尺寸 Size (W D H)	540x880x810mm	540x680x1355mm
重量 Net Weight	100kg	147kg



图片型号 PICTURE MODEL: BMJ36

船用果汁机 Marine Juice Dispenser

	船用单缸饮料机 Marine Single-Tank Juice Dispenser	船用双缸饮料机 Marine Double-Tank Juice Dispenser	船用三缸饮料机 Marine Triple-Tank Juice Dispenser
型号 Model	BMJ18	BMJ36	BMJ54
容量 Capacity	18L	18Lx2	18Lx3
功率 Rating	0.42kW	0.82kW	0.88kW
电制 Voltage	220V/1/50Hz 230V/1/60Hz	220V/1/50Hz 230V/1/60Hz	220V/1/50Hz 230V/1/60Hz
尺寸 Size (W D H)	250x390x730mm	500x390x730mm	725x390x730mm
重量 Net Weight	24kg	33kg	48kg



MARINE MESS ROOM EQUIPMENT

船用餐厅设备

图片型号 PICTURE MODEL:MM25

船用微波炉 Marine Microwave Oven

型号 Model	NN-GT35	MM25	MM30
容量 Capacity	25L	25L	30L
功率 Rating	1.3kW	1.25kW	1.45kW
电制 Voltage	220V/1/50Hz	230V/1/60Hz	230V/1/60Hz
尺寸 Size (W×D×H)	485x400x300mm	485×370×300mm	550×450×350mm
重量 Net Weight	13.7kg	13kg	15kg



图片型号 PICTURE MODEL:BEC10

船用电饭煲 Marine Electric Rice Cooker

型号 Model	BEC10	BEC13	BEC19
容量 Capacity	10L	13L	19L
功率 Rating	1.6kW	2kW	2.7kW
电制 Voltage	220V/1/50Hz 230V/1/60Hz	220V/1/50Hz 230V/1/60Hz	220V/1/50Hz 230V/1/60Hz
尺寸 Size (W×D×H)	445x375x310mm	460x390x330mm	530x450x365mm
重量 Net Weight	6kg	8kg	10kg



MARINE MESS ROOM EQUIPMENT

船用餐厅设备

图片型号 PICTURE MODEL:B4ATS

船用土司炉 Marine Toaster

型号 Model	B4ATS	B6ATS
容量 Capacity	4片 4slots	6片 6slots
功率 Rating	2kW	3kW
电制 Voltage	220V/1/50Hz 230V/1/60Hz	220V/1/50Hz 230V/1/60Hz
尺寸 Size (W D H)	340x215x230mm	430x215x230mm
重量 Net Weight	5kg	6kg



图片型号 PICTURE MODEL:BTP350

船用消毒柜 Marine Sterilizer

设备名称 Equipment	船用消毒柜 Marine Sterilizer	船用消毒柜 Marine Sterilizer	船用消毒柜 Marine Sterilizer	医用消毒柜 Medical Sterilizer
型号 Model	BTP-80M	BTP-150	BTP-350	GX-188
容量 Capacity	80L	150L	350L	60L
功率 Rating	0.6kW	0.9kW	2.7kW	0.35kW
电制 Voltage	220V/1/50Hz 230V/1/60Hz	220V/1/50Hz 230V/1/60Hz	220V/1/50Hz 230V/1/60Hz	220V/1/50Hz 230V/1/60Hz
尺寸 Size (W×D×H)	420x340x790mm	460x375x1450mm	720x590x1720mm	425x450x840mm
重量 Net Weight	15kg	22kg	58kg	12kg



图片型号 PICTURE MODEL:BDW-60/BDW-40

船用洗碗机 Marine Dish Washer



- ◆ 全不锈钢结构
S/S execution
- ◆ 人性化程序设计, 微电脑控制, 操作简单
With humanizing programs and controlled by microcomputer, easy to operate
- ◆ 内部水循环系统, 节能环保
Internal water circulation system is fitted for environment protection
- ◆ 高低清洗臂摆动自如, 喷淋无死角
The upper and lower wash arms swing flexibly, injection without dead corner



设备名称 Equipment	型号 Model	容量 Capacity	功率 Rating	电制 Voltage	尺寸 Size (W×D×H)	重量 Net Weight
船用洗碗机 Marine Dish Washer	BDW-40	40Rack/Hr	7.1kW	380-415V/3/50Hz 440-480V/3/60Hz	600x600x810mm	65kg
船用洗碗机 Marine Dish Washer	BDW-60	60Rack/Hr	18kW	380-415V/3/50Hz 440-480V/3/60Hz	700×675×1410/1885mm	140kg
船用通道式洗碗机 Orbit Type Dish Washer	BDW-200	200Rack/Hr	46kW	380-415V/3/50Hz 440-480V/3/60Hz	1148×706×1840mm	250kg
船用高压花洒 Marine Pre-rinsing Unit	B-0113	-	-	-	-	-

图片型号 PICTURE MODEL:LC-50

船用垃圾处理机 Marine Food Waste Disposer



- ◆ 全不锈钢结构
S/S execution
- ◆ 操作简单方便, 湿磨方式处理废弃食品, 不易堵塞管道
Easy to operate and drain, wet disposing
- ◆ 设备通过 MARPOL 73/78 Annex V 条例认证
MARPOL 73/78 Annex V certified
- ◆ 配带控制箱
With control box
- ◆ 可选购不锈钢外柜
S/S Cabinet is optional

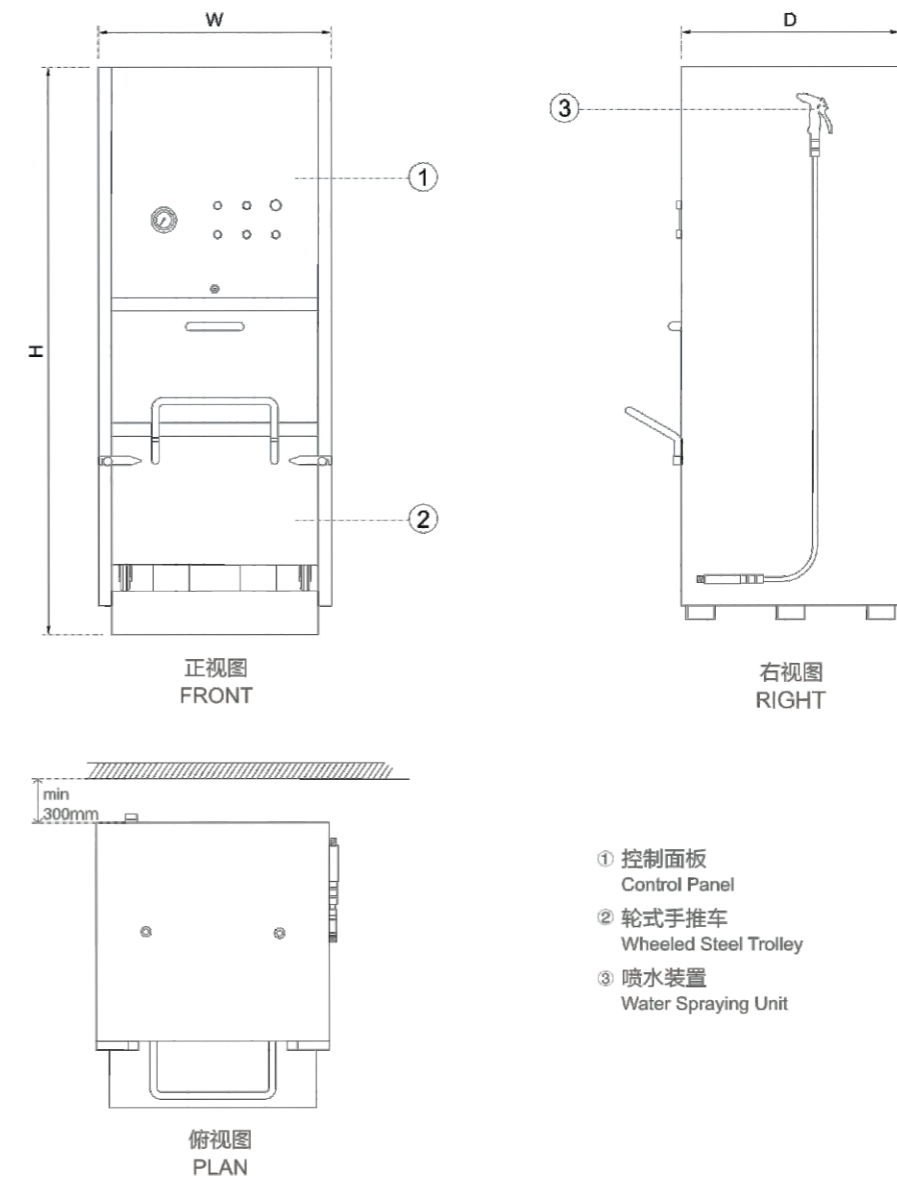
设备名称 Equipment	型号 Model	容量 Capacity	功率 Rating	电制 Voltage	尺寸 Size (W×D×H)	重量 Net Weight
船用污物粉碎机 Marine Waste Disposer	LC-50	150kg/Hr	0.5kW	220V/1/50Hz 230V/1/60Hz	ø206x280x360mm	8kg
船用污物粉碎机 Marine Waste Disposer	SS-100	300kg/Hr	0.75kW	220V/1/50Hz 230V/1/60Hz	ø248x366x430mm	10kg
船用污物粉碎机 Marine Waste Disposer	SS-150	400kg/Hr	1.2kW	220-230V/1/50-60Hz 380-480V/3/50-60Hz	ø360x470mm	15kg
船用污物粉碎机 Marine Waste Disposer	SS-200	500kg/Hr	1.5kW	220-230V/1/50-60Hz 380-480V/3/50-60Hz	ø360x470mm	20kg
船用污物粉碎机 Marine Waste Disposer	SS-300	700kg/Hr	2.25kW	380-415V/3/50Hz 440-480V/3/60Hz	ø450x600mm	25kg
船用污物粉碎机 Marine Waste Disposer	510	300kg/Hr	0.75kW	380-415V/3/50Hz 440-480V/3/60Hz	ø253x425mm	26kg
不锈钢外柜 S/S Cabinet	-	-	-	-	500x500x850mm	-

图片型号 PICTURE MODEL: BGC-180

Marine Waste Compactor 船用垃圾打包机



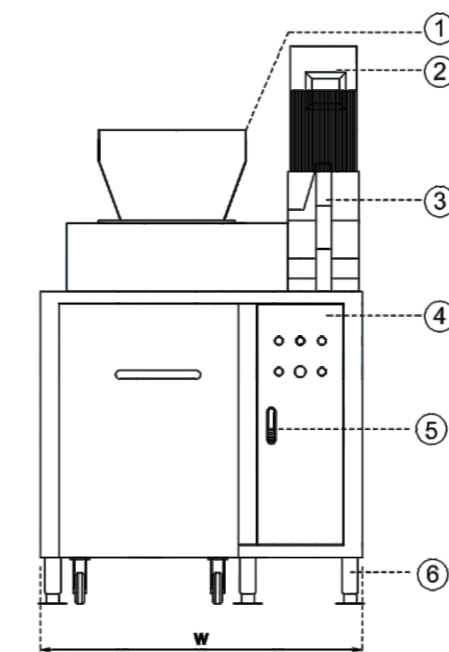
- 主体材质为不锈钢
The Main Body is made of stainless steel
- 压缩腔采用独立可移动垃圾手推车, 便于移动更换压缩腔及垃圾分类
The compressing chamber is an independent hand-pushed trolley, easy for replacement and garbage sorting
- 安装和操作简便
Easy installation and operation
- 开门自动断电, 确保操作安全
The power is cut off upon opening the door in order to ensure safety
- 德国进口马达, 法国进口电气系统
Germany imported motor, French imported electrical system
- 各种电制及规格可定制
Different voltage and specification are available



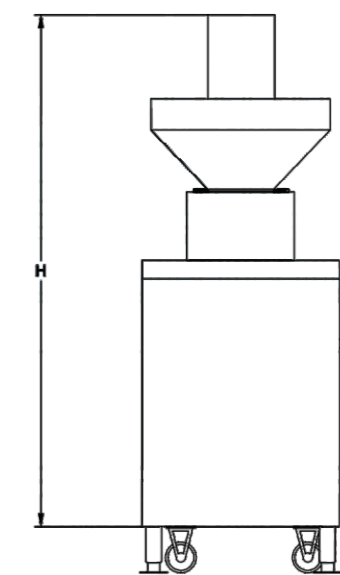
设备名称 Equipment	型号 Model	容量 Capacity	压力 Pressure	功率 Rating	电制 Voltage	尺寸 Size (W×D×H)	重量 Net Weight
船用垃圾打包机 Marine Waste Compactor	BGC-180	180L	压力 6T Pressure 6T	2.2kW	380-415V/3/50Hz 440-480V/3/60Hz	800x850x1900mm	560kg
船用垃圾打包机 Marine Waste Compactor	BGC-500	500L	压力 8T Pressure 8T	4kW	380-415V/3/50Hz 440-480V/3/60Hz	1200x1150x1900mm	710kg

图片型号 PICTURE MODEL: BCM-500

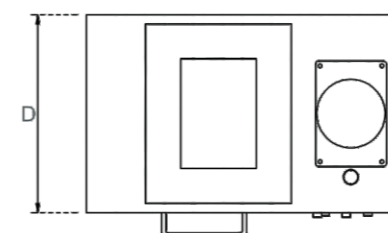
Marine Waste Crushing Machine 船用垃圾破碎机



正视图
FRONT



左视图
LEFT



俯视图
PLAN

- ① 进料口
Feed Inlet
- ② 电机
Motor
- ③ 指示灯
Indicator Light
- ④ 控制面板
Control Panel
- ⑤ 锁
Locker
- ⑥ 船用可调节底脚
Marine Adjustable Leg

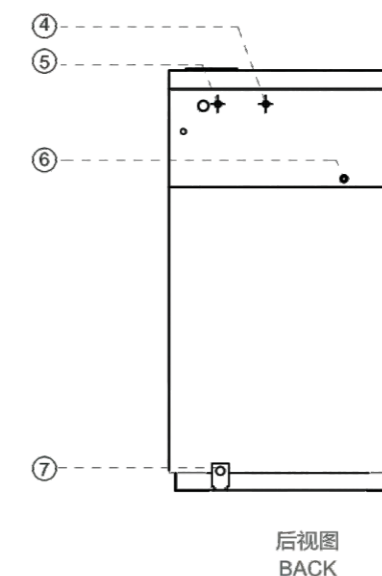
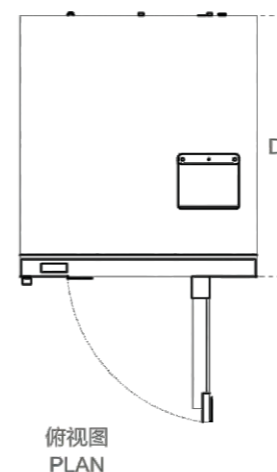
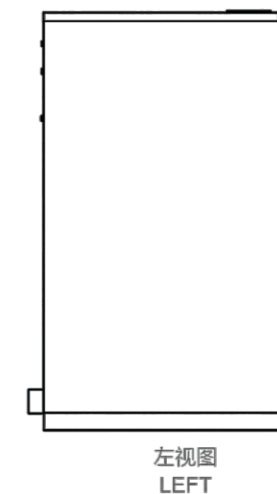
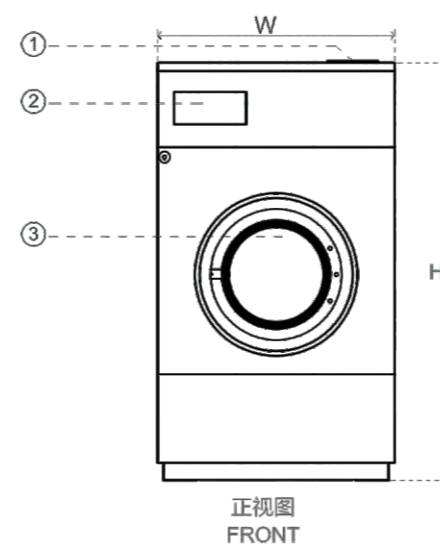
设备名称 Equipment	型号 Model	容量 Capacity	功率 Rating	电制 Voltage	尺寸 Size (W×D×H)	重量 Net Weight
船用垃圾破碎机 Marine Waste Crushing Machine	BCM-500	500kg/Hr	3kW	380-415V/3/50Hz 440-480V/3/60Hz	1040x640x1650mm	485kg

- 主体为不锈钢结构
S/S execution
- 配有过载保护功能, 可快速保护刀片及轴承
Equipped with overload protection function, can protect the blade and bearing quickly
- 各种电制及规格可定制
Different voltage and specification are available
- 此设备占地面积小, 适用于破碎纸板、书籍、塑料瓶、玻璃瓶等。
This equipment design is small, for broken cardboard, books, plastic bottles, glass bottles, etc.

图片型号 PICTURE MODEL: RC-14

Marine Washer Extractor 船用洗衣机

- ◆ 主体为不锈钢
S/S execution
- ◆ 前装载衣物, 方便快捷
Front loading type, convenient for operation
- ◆ 不锈钢滚筒
S/S tumble
- ◆ 电加热系统
Electric heating system
- ◆ 全自动洗衣过程
Automatic washing
- ◆ 带底座 (可选)
With foundation (optional)



- ① 洗涤剂料盒
Detergent feeding box
- ② 控制面板
control Panel
- ③ 门
Door
- ④ 热水入口
Hot Water Inlet
- ⑤ 冷水入口
Cold Water Inlet
- ⑥ 电源入口
Power Supply Inlet
- ⑦ 排水口
Drain

设备名称 Equipment	型号 Model	容量 Capacity	功率 Rating	电制 Voltage	尺寸 Size (WxDxH)	重量 Net Weight
船用洗衣机 Marine Washer Extractor	BWE-TG60	6kg	2kW	220V/1/50Hz 230V/1/60Hz	595x475x(830+150)mm	75kg
船用洗衣机 Marine Washer Extractor	BWE-TG80	8kg	2.1kW	220V/1/50Hz 230V/1/60Hz	595x565x(860+150)mzm	80kg
船用洗衣机 Marine Washer Extractor	BWE-1069	10kg	3.5kW	220V/1/50Hz 230V/1/60Hz	690x770x(980+150)mm	117kg
船用洗衣机 Marine Washer Extractor	LWN311	10kg	0.5kW	220V/1/50Hz 230V/1/60Hz	650x710x(1100+150)mm	90kg

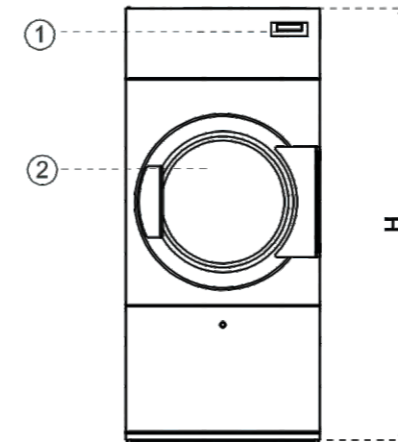
设备名称 Equipment	型号 Model	容量 Capacity	功率 Rating	电制 Voltage	尺寸 Size (WxDxH)	重量 Net Weight
船用工业洗衣机 Marine Industrial Washer Extractor	RC-8	8kg	7.5kW	380-415V/3/50Hz 440-480V/3/60Hz	720x821x(1034+150)mm	199kg
船用工业洗衣机 Marine Industrial Washer Extractor	RC-11	11kg	10.5kW	380-415V/3/50Hz 440-480V/3/60Hz	720x933x(1034+150)mm	207kg
船用工业洗衣机 Marine Industrial Washer Extractor	RC-14	14kg	11kW	380-415V/3/50Hz 440-480V/3/60Hz	880x910x(1236+150)mm	296kg
船用工业洗衣机 Marine Industrial Washer Extractor	RC-18	18kg	14kW	380-415V/3/50Hz 440-480V/3/60Hz	880x966x(1236+150)mm	307kg
船用工业洗衣机 Marine Industrial Washer Extractor	RC-23	23kg	17kW	380-415V/3/50Hz 440-480V/3/60Hz	880x1056x(1236+150)mm	318kg
船用工业洗衣机 Marine Industrial Washer Extractor	RC-30	30kg	27kW	380-415V/3/50Hz 440-480V/3/60Hz	1098x946x(1433+150)mm	480kg

图片型号 PICTURE MODEL:ES18

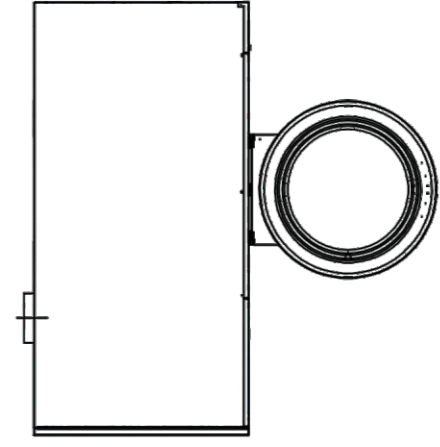
Marine Dryer Tumbler 船用烘干机



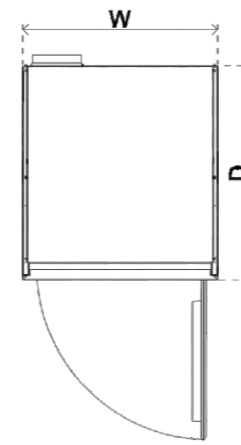
- ◆ 前装载衣物, 方便快捷
Front loading type, convenient for operation
- ◆ 不锈钢滚筒
S/S tumble
- ◆ 电加热系统
Electric heating system
- ◆ 全自动烘干过程
Automatic drying
- ◆ 带底座 (可选)
With foundation (optional)



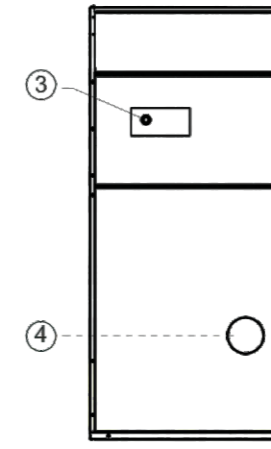
正视图
FRONT



左视图
LEFT



俯视图
PLAN



后视图
BACK

- ① 控制面板
Control Panel
- ② 门
Door
- ③ 进线填料函
Cable Gland
- ④ 排风口
Air Outlet

设备名称 Equipment	型号 Model	容量 Capacity	功率 Rating	电制 Voltage	尺寸 Size (W×D×H)	重量 Net Weight
船用烘干机 Marine Dryer Tumbler	BTD-H06	6kg	1.85kW	220V/1/50Hz 230V/1/60Hz	600x560x(860+150)mm	50kg
船用烘干机 Marine Dryer Tumbler	BTD-G80	8kg	2.45kW	220V/1/50Hz 230V/1/60Hz	600x670x(880+150)mm	55kg
船用烘干机 Marine Dryer Tumbler	BTD-1329	10kg	5.4kW	220V/1/50Hz 230V/1/60Hz	690x760x(980+150)mm	90kg
船用烘干机 Marine Dryer Tumbler	LES37	10kg	5.4kW	220V/1/50Hz 230V/1/60Hz	685x710x(1100+150)mm	65kg

设备名称 Equipment	型号 Model	容量 Capacity	功率 Rating	电制 Voltage	尺寸 Size (W×D×H)	重量 Net Weight
船用工业烘干机 Marine Industrial Dryer Tumbler	ES10	10kg	18.7kW	380-415V/3/50Hz 440-480V/3/60Hz	791x707x1804mm	203kg
船用工业烘干机 Marine Industrial Dryer Tumbler	ES14	14kg	18.7kW	380-415V/3/50Hz 440-480V/3/60Hz	791x874x1804mm	217kg
船用工业烘干机 Marine Industrial Dryer Tumbler	ES18	18kg	24.7kW	380-415V/3/50Hz 440-480V/3/60Hz	791x1051x1804mm	233kg
船用工业烘干机 Marine Industrial Dryer Tumbler	ES23	23kg	25.1kW	380-415V/3/50Hz 440-480V/3/60Hz	1022x918x1932mm	286kg
船用工业烘干机 Marine Industrial Dryer Tumbler	ES34	34kg	37.1kW	380-415V/3/50Hz 440-480V/3/60Hz	1022x1188x1932mm	323kg

图片型号 PICTURE MODEL: FL1000/25

船用熨衣机 Marine Ironing Machine

型号 Model	FL1000/25	FL1250/25	FL1500/25	
容量 Capacity	ø250x1000mm	ø250x1250mm	ø250x1500mm	
功率 Rating	4.9kW	5.8kW	8.1kW	
电制 Voltage	380-415V/3/50Hz 440-480V/3/60Hz	380-415V/3/50Hz 440-480V/3/60Hz	380-415V/3/50Hz 440-480V/3/60Hz	
尺寸 Size (WxDxH)	1513x719x1087	1763x719x1087	2013x719x1087	
重量 Net Weight	159kg	174kg	198kg	

图片型号 PICTURE MODEL: BI925/GC

船用烫衣板/电熨斗 Marine Ironing Board / Electric Iron

型号 Model	GC	BI925	
容量 Capacity	-	-	
功率 Rating	1.2kW	-	
电制 Voltage	220V/1/50Hz 230V/1/60Hz	-	
尺寸 Size (WxDxH)	300x115x150mm	800x360x1270mm	
重量 Net Weight	1.5kg	6.5kg	

船用不锈钢家具 Marine S/S Furniture

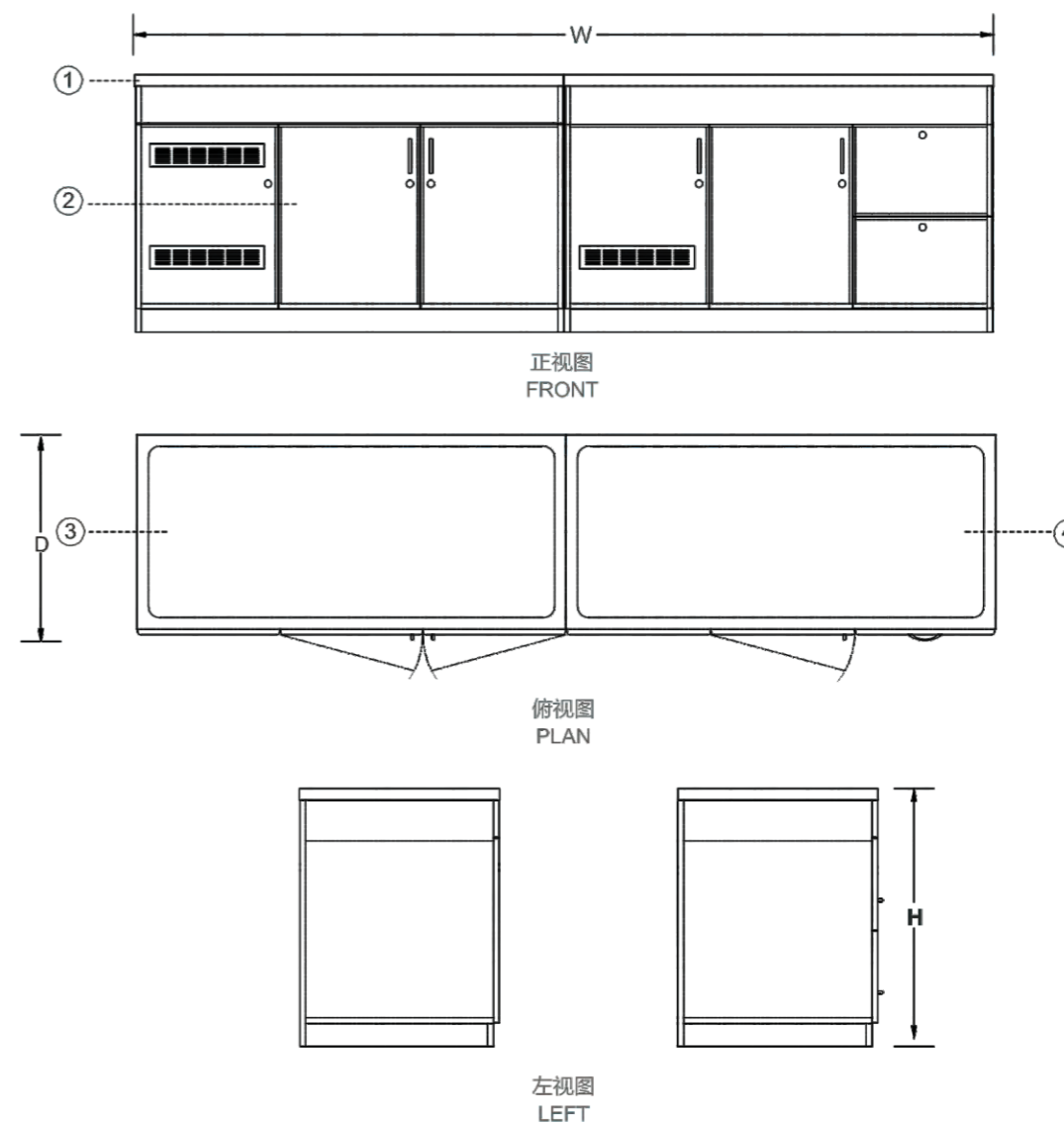


- ◆ 全不锈钢结构
S/S execution
- ◆ 船用可调节底脚
Marine adjustable legs
- ◆ 家具尺寸和形式可根据用户需要定制
The size and structure of furniture can be determined according to customers' requirements
- ◆ 可按照NOSORK/USPH标准定制
Work-bench and table can be customized according to NOSORK / USPH standard

图片型号PICTURE MODEL:BHC3000

Sectional Table

组合式服务台



- ① 不锈钢台面
Stainless steel table-board
- ③ 冷板
Refrigerated cold plate

- ② 木质柜体
Wooden cabinet
- ④ 热板
Heated keeping plate

- 不锈钢台面，木质柜体，柜体颜色可选
Stainless steel countertops, wooden cabinets, cabinet color optional
- 采用优质进口压缩机及环保制冷剂
Imported compressor with good quality and environmental-friendly refrigerant
- 采用电子温控，数字显示
Electronic thermostat with numeral display
- 冷板温区+2...6° C
Refrigerated cold plate temperature area +2...6° C
- 热板温区+60...90° C
Heated keeping plate temperature area +60...90° C
- 带碗碟架的抽屉等多种组合可选
Bowl & plate rack drawer, variety of combinations optional
- 各种尺寸规格可定制
Various specifications can be customized

设备名称 Equipment	型号 Model	功率 Rating	电制 Voltage	尺寸 Size (W×D×H)	重量 Net Weight
组合式服务台 Sectional table	BHC3070	2.75kW	220V/1/50Hz 230V/1/60Hz	3000x700x900	235kg
热餐服务台 Hot Counter	BH1570	2kW	220V/1/50Hz 230V/1/60Hz	1500x700x900	100kg
冷餐服务台 Cool Counter	BC1570	0.75kW	220V/1/50Hz 230V/1/60Hz	1500x700x900	135kg

图片型号 PICTURE MODEL: BMGH/W/A/F/UV

Marine Multi-functional Galley Hood 船用多功能智能烟罩

自动清洗+送新风+灭火系统+UV油烟高效净化

Auto. Water Clean + Air Supply + Fire Extinguishing + Fume Removal with UV

简介 Introduction

百斯麦瑞BMGH/W/A/F/UV船用多功能智能烟罩广泛适用于船舶和海工项目，与传统烟罩相比，可实现自动清洗，由控制系统全自动控制，适用于各种操作条件。并支持手动控制清洗过程，可根据客户需求定制。

BMGH/W/A/F/UV Marine Multi-functional Galley Hoods of BAST-MARINE are intended for use on a broad range of ships and Offshore project. Compared with old types of exhaust hoods, they are able to remove the oil on the filters automatically without having to remove the filters. The operation is automatically controlled by the control box, applicable for various conditions. Manual cleaning is also available upon user's need.

产品特点 Features

- ◆ 全自动清洗系统定期清洗
The fully automatic cleaning system regularly cleaning
- ◆ 送新风，产生风幕，平衡厨房气压，隔绝油烟味（可选配）
Air feeding and air curtain are generated. The air pressure inside and outside the galley are balanced and the smell of oil and fume withheld. (Optional)
- ◆ 三层过滤：过滤器，筛网过滤器，UV紫外线高效净化过滤（可选配）
Triple filtering processes: filtering, screening and high-efficiency UV Clean (Optional)
- ◆ 美国进口R-102湿式化学灭火系统，可提供 DNV-GL/ABS/CCS等证书（可选配）
R-102 wet chemical fire extinguishing system imported from the U.S. with DNV-GL/ABS/CCS certificates, etc. available. (Optional)
- ◆ 维护需求低，可减少人员清洗过滤器的工作量
Very little maintenance is required, thus reducing the work load of manually cleaning the filter.
- ◆ 高效油脂过滤，防止油脂沉积物堆积造成严重的火灾隐患
High efficiency oil filter to prevent the accumulation of oil which presents serious fire risk.
- ◆ 利于环境卫生
Hygienic and environment friendly

结构 Construction

所有的部件均采用不锈钢制成，表面经过抛光处理。烟罩内角为圆形，符合USPHS要求，易于清洗。

All parts are made of stainless steel and the surface is polished. The inner corners of the hood are rounded to comply with USPHS, easy to clean.

清洗模块 Cleaning module

油脂过滤器利用从喷嘴中喷出的温水和清洁剂混合物，进行自动清洗循环。废液通过直接放泄接口从烟罩内排出。控制柜由不锈钢制成。

Oiler filters should utilize the warm water and detergent from the nozzle to conduct self-cleaning cycle. The waste liquid should be discharged from the hood through the direct discharge hole. The cabinet should be made of stainless steel.

按需过滤 Filter on need

减少了管道中的油脂沉积物

Reduced oil deposits in the pipeline

增强了卫生性和安全性

Enhanced sanitation and safety

油脂过滤器采用不锈钢制成，按照标准尺寸制作，可利用把手将其拆除

The oil filter is made of stainless steel. The standard size of the oil filter which can be removed using handle

紫外线过滤 Ultraviolet filter

紫外线技术将其余小油脂颗粒分解成更小的分子单位。由UV灯产生的臭氧与固态和气态油脂发生反应。生成物不会附着在管道或风机上，从而降低了发生重大火灾的危险以及昂贵的管道清理成本。

Ultraviolet technology breaks down the rest tiny oil particles into tinier molecular units. Ozone generated by the UV lamp reacts with solid and gaseous oil. The generated articles do not stick to the pipe or fan, thus reducing the risk of serious fire hazards and high pipeline cleaning costs.

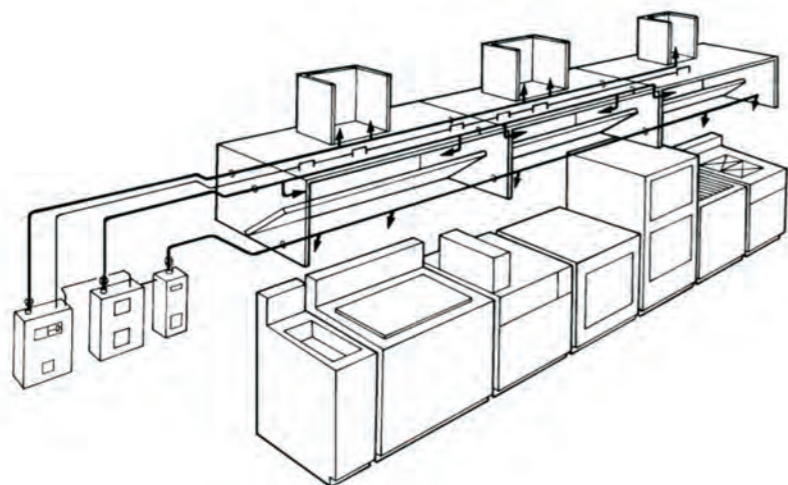
日光照明设备 Fluorescent equipment

每个烟罩均配有可提供大约平均500lux强度的照明设备。照明设备达到IP56的防护等级要求。

Every hood is equipped with a fluorescent device that provides an average of 500 lux illumination for the working surface of cooking utensils. The fluorescent equipment are manufactured to achieve the protection level of IP56.



自动灭火系统 Automatic Fire Extinguishing System



特点 Features

- ◆ 厨房灭火装置可依据厨房灶具及烟罩配置情况进行专门设计。
The galley fire extinguishing device can be specially designed according to the galley cookers and hood configuration.
- ◆ 系统通过感温系统对厨房火灾进行24小时监控，当厨房灶台或者烟道发生火灾时，感温片熔断，自动启动灭火装置，喷洒灭火剂，在3-5秒内扑灭火灾，也可以在火灾发生初期，人工启动灭火装置进行灭火。
The system monitors fire hazard in galley all day using temperature sensing system. When fire hazard occurs on galley cooking tops or in smoke ducts, the temperature sensor breaks off, the fire extinguishing system is activated automatically, and the fire extinguishing agent is sprayed to put out fire within 3-5 seconds. Fire can also be put out through activating the fire extinguishing device manually at the early stage of fire hazard.
- ◆ 灭火装置无论是自动还是手动启动，灭火同时提供火情信号传递给消防中心。
The fire extinguishing device sends fire alarm signal to the fire fighting control center at the same time as the fire extinguishing operation is activated, no matter automatically or manually.
- ◆ 系统属纯机械结构，无需用电控制，安全可靠。不会出现因为停电等原因造成系统无法启动的情况。
The fire extinguishing device sends fire alarm signal to the fire fighting control center at the same time as the fire extinguishing operation is activated, no matter automatically or manually.
- ◆ 灭火装置所使用的灭火剂为厨房专用高效灭火剂，灭火后只需要用清水清洗即可，药剂保质期为8年。
The system is of fully mechanical structure which means no electric control is needed. Safety and reliability are ensured. The situation that the system can not be activated due to power failure or for other reasons will never occur.

UV油烟净化 UV Oil Removal

特点 Features

- ◆ 净化效率高，油烟去除率达90%以上。
The high removal efficiency ensures an oil and fume removal rate of above 90%.
- ◆ 使用寿命长：原装进口的紫外线灯有效使用寿命达9000小时。
Long service life: The imported genuine UV lamp has an effective life of 9000 hours.
- ◆ 安全免清洗、免修，风管、风机叶片在紫外线和臭氧的作用下能保持清洁，不产生油污挂壁现象。
Safe, cleaning free and repairing free, air ducts and fan motor blades can keep clean with ultraviolet and ozone without dirty oil sticking to any surface.
- ◆ 防火：因无油污挂壁现象，大大降低烟道失火燃烧的机率。
Fire hazard prevention: Because no dirty oil sticks to any surface, the possibility of fire hazard occurring in smoke ducts is greatly reduced.
- ◆ 可去除臭味，消毒杀菌。
Odor can be eliminated; disinfection and sterilization can be performed.
- ◆ 无噪音，静音工作状态。
Noise free. Working in silence.

自清洗智能控制系统 Intelligent Self-cleaning Control System

特点 Features

- ◆ 无需人员手动操作，全自动；
No need to operate manually, fully automatic;
- ◆ 电源过流保护功能；
Over current protection for power supply;
- ◆ 控制系统具有分段式定时清洗网排功能；
The control system has segmented and timed netting cleaning function;
- ◆ 控制系统具有故障报警及维修指南提示；
The control system has fault alarm and maintenance guide;
- ◆ 控制系统与外部设备具有联动功能；
The control system and external equipment are able to interact with each other;
- ◆ 控制系统主要元器件为西门子、施耐德品牌；
The brands of main elements of the control system are Siemens and Schneider;



水清洗控制箱
Water Clean Control Box

BAST-MARINE ONE-STOP
SERVICE DECLARATION

百斯麦瑞一站式服务宣言

贴身保姆服务，更加妥帖周到

Attentive service, more apposite and considerate

上门保养保修，更加放心安心

Door-to-door maintenance & service, more assuring

产品品质保障，检测部门监督

Guaranteed quality, supervised by inspection team

终身反馈跟进，贯彻品牌责任

Lifelong feedback follow-up, brand responsibility implemented

National service hotline

全球服务热线：**+86-574-88397088**

邮箱 (Email)：**service@bast-marine.com**

