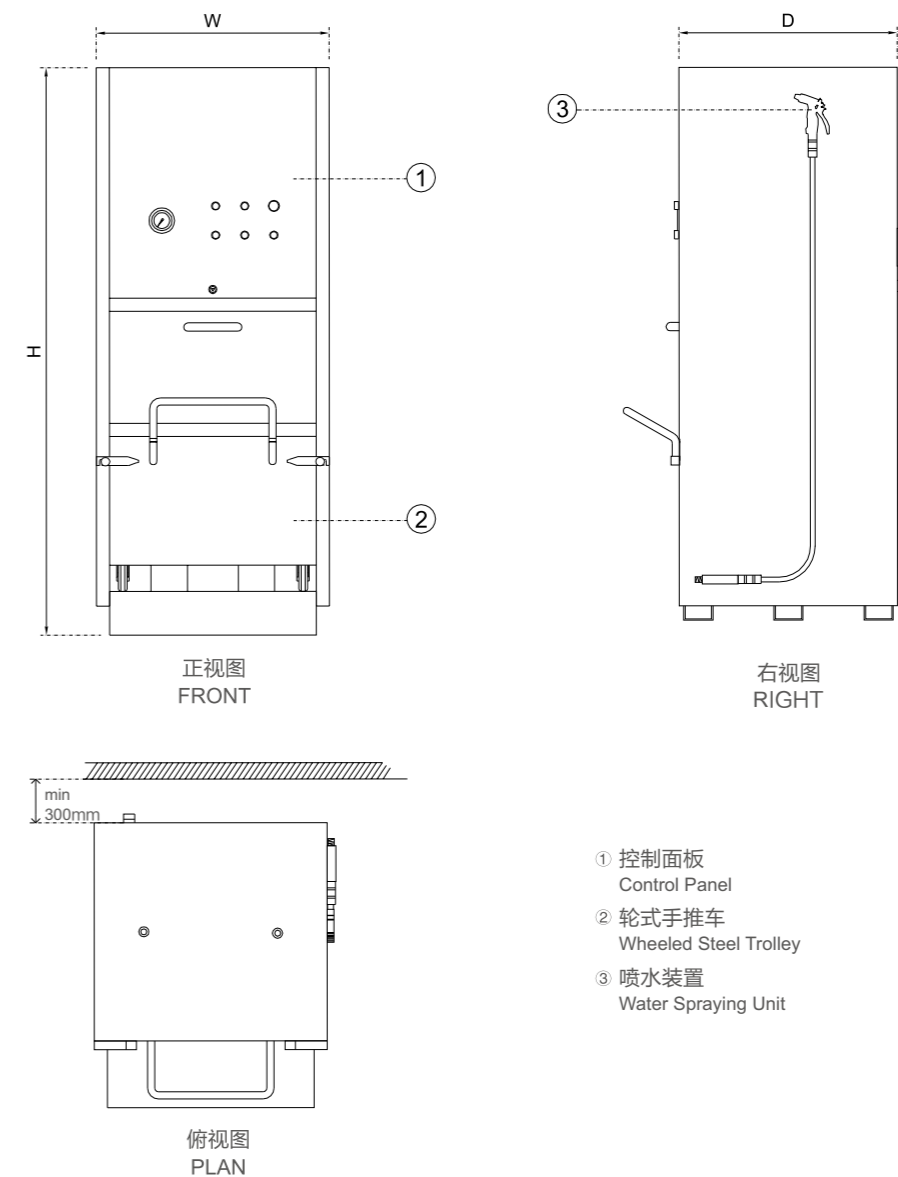


图片型号 PICTURE MODEL: BGC-180

Marine Waste Compactor 船用垃圾打包机



- ◆ 主体材质为不锈钢
The Main Body is made of stainless steel
- ◆ 压缩腔采用独立可移动垃圾手推车, 便于移动更换压缩腔及垃圾分类
The compressing chamber is an independent hand-pushed trolley, easy for replacement and garbage sorting
- ◆ 安装和操作简便
Easy installation and operation
- ◆ 开门自动断电, 确保操作安全
The power is cut off upon opening the door in order to ensure safety
- ◆ 德国进口马达, 法国进口电气系统
Germany imported motor, French imported electrical system
- ◆ 各种电制及规格可定制
Different voltage and specification are available



设备名称 Equipment	型号 Model	容量 Capacity	压力 Pressure	功率 Rating	电制 Voltage	尺寸 Size (WxDxH)	重量 Net Weight
船用垃圾打包机 Marine Waste Compactor	BGC-180	180L	压力 6T Pressure 6T	2.2kW	380-415V/3/50Hz 440-480V/3/60Hz	800x850x1900mm	560kg
船用垃圾打包机 Marine Waste Compactor	BGC-500	500L	压力 8T Pressure 8T	4kW	380-415V/3/50Hz 440-480V/3/60Hz	1200x1150x1900mm	710kg