

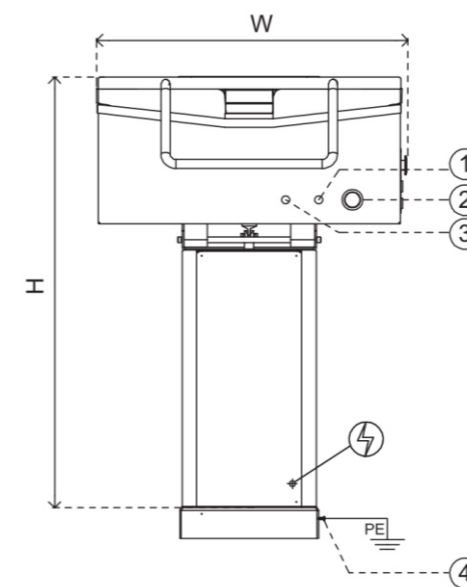
图片型号 PICTURE MODEL: BTF40E

Marine Tilting
Frying Pan

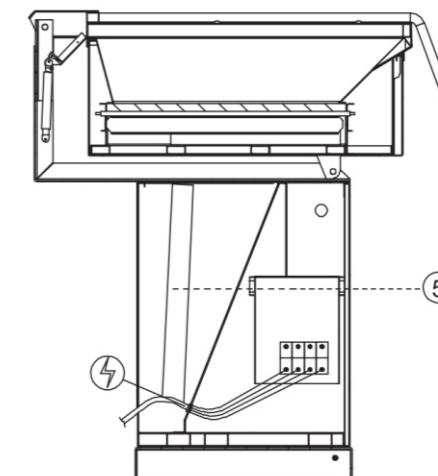
船用可倾式平底电炒锅



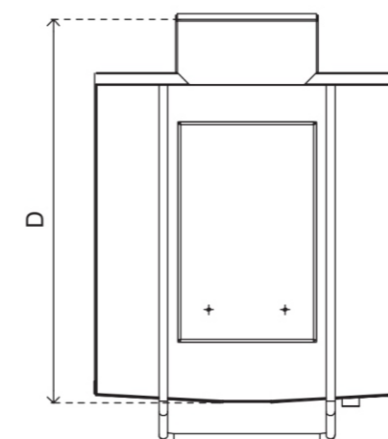
- ◆ 全不锈钢结构
S/S execution
- ◆ 锅底为 19 毫米厚铸铁板，热效率高
The bottom of the pan is made of 19mm thick cast iron plate which ensures high heat efficiency
- ◆ 电动倾斜装置，操作更方便省力
Electric tilting driven device ensures easy operation
- ◆ 加热温度在 60-300°C 之间可任意设定，并自动恒温
The cooking temperature can be adjusted from 60 to 300°C and keep stable automatically
- ◆ 并设有限位感应装置，锅底倾斜时自动停止加热
Limit switch automatically stop the heating when the pan is tilted
- ◆ 带防风浪气撑锅盖
Anti-storm pan lid is provided
- ◆ 可按照NOSORK标准定制
Can be customized according to NOSORK standard
- ◆ 可选送新风
Air supply system is optional



正视图
FRONT



左视图
LEFT



俯视图
PLAN

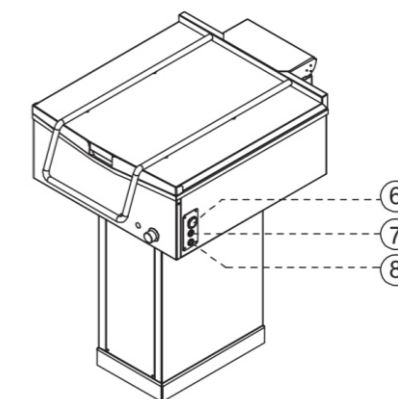


示意图
DIAGRAMMATIC

- | | | |
|--------------------------------|--------------------------------|-------------------------------|
| ① 加热指示灯
Heating Pilot Light | ④ 接地螺栓
Earthing | ⑦ 上升按钮
Tilting-up Switch |
| ② 温控旋钮
Thermostat Knob | ⑤ 直流线性电机
DC Linear Actuator | ⑧ 下降按钮
Tilting-down Switch |
| ③ 电源指示灯
Power Pilot Light | ⑥ 急停开关
Emergency Shut Off | |

设备名称 Equipment	型号 Model	容量 Capacity	功率 Rating	电制 Voltage	尺寸 Size (W×D×H)	重量 Net Weight
船用可倾式平底电炒锅 Marine Tilting Frying Pan	BTF40E	40L	9kW	380-415V/3/50Hz 440-480V/3/60Hz	650×800×900mm	104kg
船用可倾式平底电炒锅 Marine Tilting Frying Pan	BTF60E	60L	12kW	380-415V/3/50Hz 440-480V/3/60Hz	850×800×900mm	125kg
船用可倾式平底电炒锅 Marine Tilting Frying Pan	BTF80E	80L	15kW	380-415V/3/50Hz 440-480V/3/60Hz	1100×800×900mm	150kg