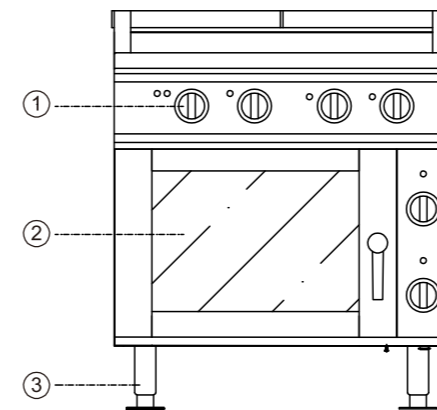


图片型号 PICTURE MODEL: BR4D/O

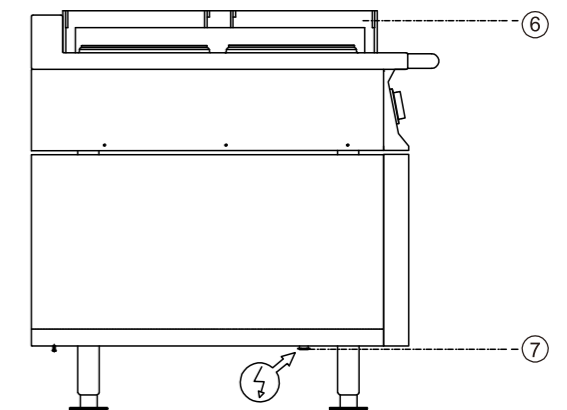
Marine Cooking Range (New Type) 船用新型电灶



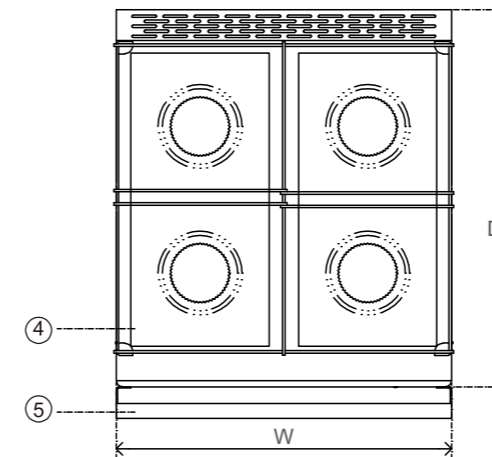
- ◆ 全不锈钢结构
S/S execution
- ◆ 红外线聚能加热无电磁辐射
Infrared shaped heating without electromagnetic radiation
- ◆ 垂直导热技术，节能环保
Vertical heat conduction technology, energy saving and environmental protection
- ◆ 进口发热炉盘和微晶玻璃面板，使用寿命更长
Imported heating furnace and glass ceramic panel, long service life
- ◆ 平底耐高温的锅具都可以使用
Flat-bottom design, high temperature resistant cookware can be used
- ◆ 设防浪扶手和防浪架
Front hand rail and storm racks on top
- ◆ 下部结构可以选择烤箱或储物柜
The under structure can be designed as baking oven or cabinet
- ◆ 烤箱设上下两组加热器，并独立控制
Upper and lower heating elements are fitted in oven and controlled separately
- ◆ 可按照NOSORK标准定制
Can be customized according to NOSORK standard



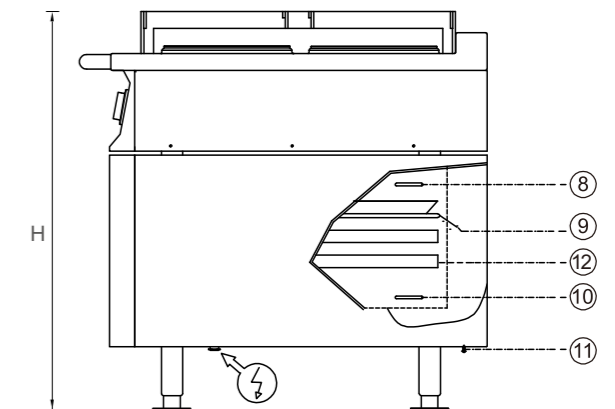
正视图
FRONT



左视图
LEFT



俯视图
PLAN



右视图
RIGHT

- | | | |
|--|----------------------------------|----------------------------------|
| ① 功率可调节开关
Power Adjusting Knob | ⑤ 防浪扶手
Handrail | ⑨ 烤架
Grill |
| ② 烤箱（可替换为开口柜）
Oven (Can Be Replaceb
With Open Cabinet) | ⑥ 防浪架
Rolling Rack | ⑩ 下层电热管
Lower Heating Element |
| ③ 船用可调节底脚
Marine Adjustable Leg | ⑦ 进线填料函
Cable Cland | ⑪ 接地螺栓
Earthing |
| ④ 炉头玻璃板
Cooker Glass Plate | ⑧ 上层电热管
Upper Heating Element | ⑫ 烤盘
Baking Plate |

设备名称 Equipment	型号 Model	功率 Rating	电制 Voltage	尺寸 Size (W×D×H)	重量 Net Weight
船用新型电灶 Marine Cooking Range (New Type)	BR4D	9kW	380-415V/3/50Hz 440-480V/3/60Hz	800x900x850	87kg
船用新型电灶 Marine Cooking Range (New Type)	BR4D/O	13.8kW	380-415V/3/50Hz 440-480V/3/60Hz	800x900x850	135kg
船用新型电灶 Marine Cooking Range (New Type)	BR6D	13.5kW	380-415V/3/50Hz 440-480V/3/60Hz	1200x900x850	117kg
船用新型电灶 Marine Cooking Range (New Type)	BR6D/O	18.3kW	380-415V/3/50Hz 440-480V/3/60Hz	1200x900x850	165kg