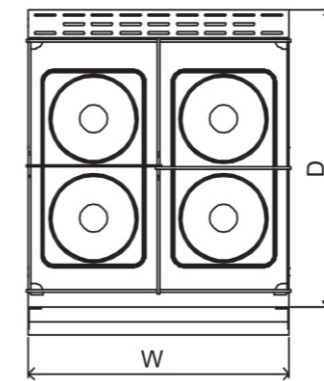
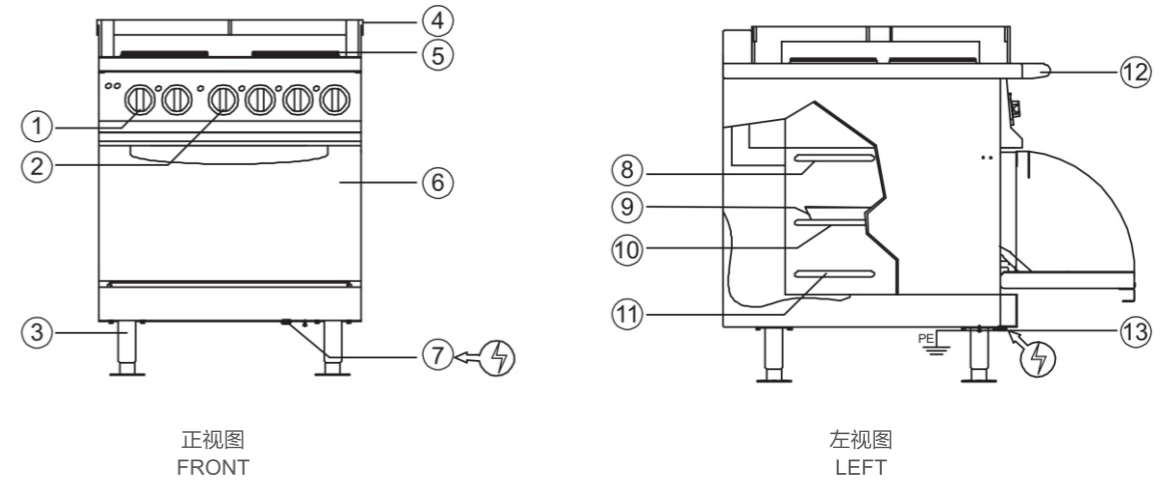


图片型号 PICTURE MODEL: BR4B/O

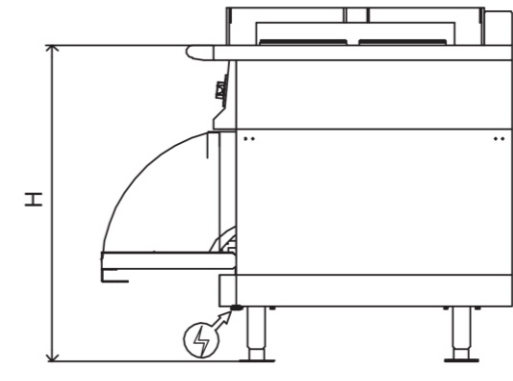
Marine Cooking Range (Round Hot Plate) 船用圆头电灶



- ◆ 全不锈钢结构
Complete stainless steel execution
- ◆ 采用德国进口 E.G.O 加热盘及控制元件
Hot Plates and Control Elements are imported from E.G.O Germany
- ◆ 灶盘表面经过耐磨、防腐蚀、耐高温处理
The Hot Plates can stand abrasion, corrosion and high temperature
- ◆ 设有 7 档功率调节开关
7-stop Power Adjusting Knob
- ◆ 设防浪扶手和防浪架
Front hand rail and storm racks on top
- ◆ 灶下可选择烤箱或储物柜
The under structure can be designed as baking oven or cabinet
- ◆ 烤箱采用德国进口 E.G.O 温控
The thermostat of oven is imported from E.G.O Germany
- ◆ 烤箱设上下两组加热器，并独立控制
Upper and lower heating elements are fitted in oven and controlled separately
- ◆ 可按照NOSORK标准定制
Can be customized according to NOSORK standard



俯视图
PLAN



右视图
RIGHT

- | | | | |
|--|--|----------------------------------|----------------------------------|
| ① 7 档功率调节开关
7-stop Power Adjusting Knob | ④ 防浪架
Rolling Rack | ⑦ 进线填料函
Cable Gland | ⑩ 烤架
Grill |
| ② 烤箱温控器开关
Thermal Switch of Oven | ⑤ 圆型电热板
Round Hot Plate | ⑧ 上层电热管
Upper Heating Element | ⑪ 下层电热管
Lower Heating Element |
| ③ 船用可调节底脚
Marine Adjustable Leg | ⑥ 烤箱 (可替换为开口柜)
Oven (Can Be Replaced With Open Cabinet) | ⑨ 烤盘
Baking Plate | ⑫ 防浪扶手
Handrail |
| | | | ⑬ 接地螺栓
Earthing |

设备名称 Equipment	型号 Model	功率 Rating	电制 Voltage	尺寸 Size (W×D×H)	重量 Net Weight
船用圆四头电灶 Marine Cooking Range (4 Round Hot Plates)	BR4B	10.4kW	380-415V/3/50Hz 440-480V/3/60Hz	700×800×850mm	55kg
船用圆四头电灶连烤箱 Marine Cooking Range W/Oven(4 Round Hot Plates)	BR4B/O	15.2kW	380-415V/3/50Hz 440-480V/3/60Hz	700×800×850mm	99kg
船用圆六头电灶 Marine Cooking Range(6 Round Hot Plates)	BR6B	15.6kW	380-415V/3/50Hz 440-480V/3/60Hz	1050×800×850mm	80kg
船用圆六头电灶连烤箱 Marine Cooking Range W/Oven (6 Round Hot Plates)	BR6B/O	20.4kW	380-415V/3/50Hz 440-480V/3/60Hz	1050×800×850mm	120kg