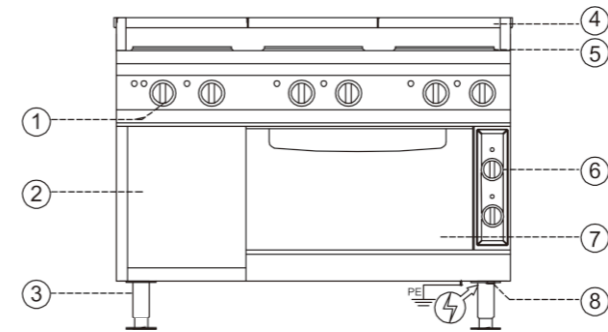


图片型号 PICTURE MODEL: BR4A/O

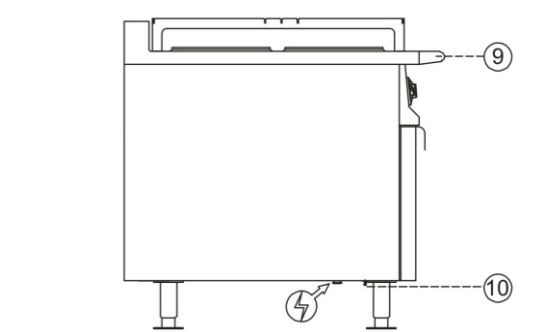
MARINE COOKING RANGE (SQUARE HOT PLATE) 船用方头电灶



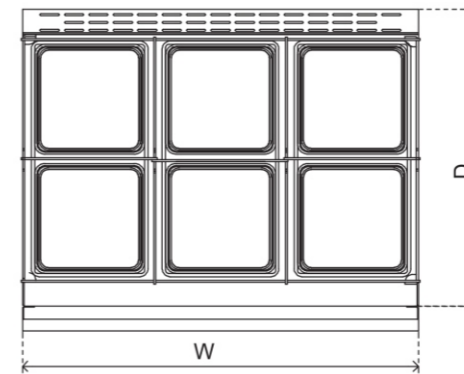
- ◆ 全不锈钢结构
Complete stainless steel execution
- ◆ 采用德国进口 E.G.O 加热盘及控制元件
Hot Plates and Control Elements are imported from E.G.O Germany
- ◆ 灶盘表面经过耐磨、防腐蚀、耐高温处理
The Hot Plates can stand abrasion, corrosion and high temperature
- ◆ 设有 7 档功率调节开关
7-stop Power Adjusting Knob
- ◆ 设防浪扶手和防浪架
Front hand rail and storm racks on top
- ◆ 灶下可选择烤箱或储物柜
The under structure can be designed as baking oven or cabinet
- ◆ 烤箱采用德国进口 E.G.O 温控
The thermostat of oven is imported from E.G.O Germany
- ◆ 烤箱设上下两组加热器，并独立控制
Upper and lower heating elements are fitted in oven and controlled separately
- ◆ 可按照NOSORK标准定制
Can be customized according to NOSORK standard



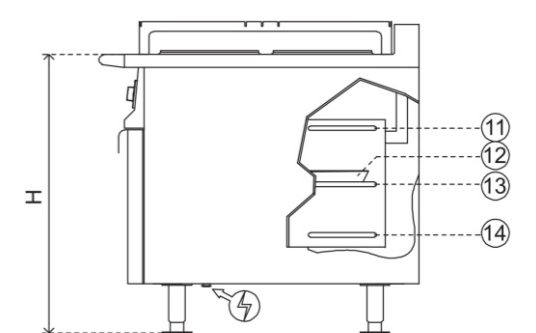
正视图
FRONT



左视图
LEFT



俯视图
PLAN



右视图
RIGHT

- | | | | |
|--|--|----------------------------------|----------------------------------|
| ① 7 档功率调节开关 7-stop Power Adjusting Knob | ⑤ 方形电热板 Square Hot Plate | ⑨ 防浪扶手 Handrail | ⑬ 烤架 Grill |
| ② 开口储物柜 Open Cabinet | ⑥ 烤箱温控器开关 Thermal Switch Of Oven | ⑩ 接地螺栓 Earthing | ⑭ 下层电热管 Lower Heating Element |
| ③ 船用可调节底脚 Marine Adjustable Leg | ⑦ 烤箱 (可替换为开口柜) Oven (Can Be Replaced With Open Cabinet) | ⑪ 上层电热管 Upper Heating Element | |
| ④ 防浪架 Rolling Rack | ⑧ 进线填料函 Cable Gland | ⑫ 烤盘 Baking Plate | |

| 设备名称 Equipment | 型号 Model | 功率 Rating | 电制 Voltage | 尺寸 Size (W×D×H) | 重量 Net Weight |
|---|-------------|--------------|------------------------------------|--------------------|------------------|
| 船用方四头电灶 Marine Cooking Range (4 Square Hot Plates) | BR4A | 16kW | 380-415V/3/50Hz 440-480V/3/60Hz | 800×900×850mm | 100kg |
| 船用方四头电灶连烤箱 Marine Cooking Range W/Oven(4 Square Hot Plates) | BR4A/O | 20.8kW | 380-415V/3/50Hz 440-480V/3/60Hz | 800×900×850mm | 148kg |
| 船用方六头电灶 Marine Cooking Range(6 Square Hot Plates) | BR6A | 24kW | 380-415V/3/50Hz 440-480V/3/60Hz | 1200×900×850mm | 130kg |
| 船用方六头电灶连烤箱 Marine Cooking Range W/Oven (6 Square Hot Plates) | BR6A/O | 28.8kW | 380-415V/3/50Hz 440-480V/3/60Hz | 1200×900×850mm | 180kg |